



PARTS LIST NO. M18713 00104F

DCA - 25SSIU4F

PARTSLIST

Denyo Manufacturing Corp.

SERIAL No. 7150001~

HOW TO USE THE PARTS LIST

1. This parts list covers the parts for Engine-Driven AC Generator Model DCA-25SSIU4F.
2. When placing orders, specify the following details:
 - 1) Model Number and Serial Number.
 - 2) Parts Number and Parts Name.
 - 3) Quantity required.
3. The parts listed with a serial number are new parts.
Please place an order with us after confirmation of serial number for machine at your side.
4. The sequence of this parts list is by machine structure. Each group of parts has an illustration or the first page of the parts list. Parts can be identified on the parts list, using the key number on the illustration. These key number, on the illustration, are also shown on the left-hand column in the parts list.
5. The parts number are shown as 10 digits and alphabet. The parts number of the parts makers are shown in the remark column.
6. The parts marked with an asterisk and the parts not listed are not available as a single part, and orders must be placed for them as an assembly.
7. This parts list uses the following abbreviations and symbols:

| | | | |
|-------|---|------|--|
| All | :Some parts differ from unit to unit | p. | :Page |
| Ass'y | :Assembly | Re. | :Rear |
| Fr. | :Front | R.H. | :Right |
| L.H. | :Left | STD | :Standard |
| No. | :Number | → | :Indication of the page where the modified or additional parts are listed. |
| O.P. | :Optional Parts | | |

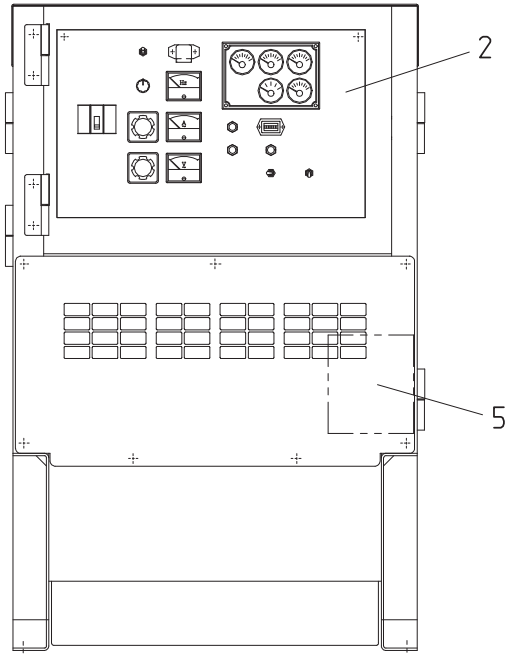
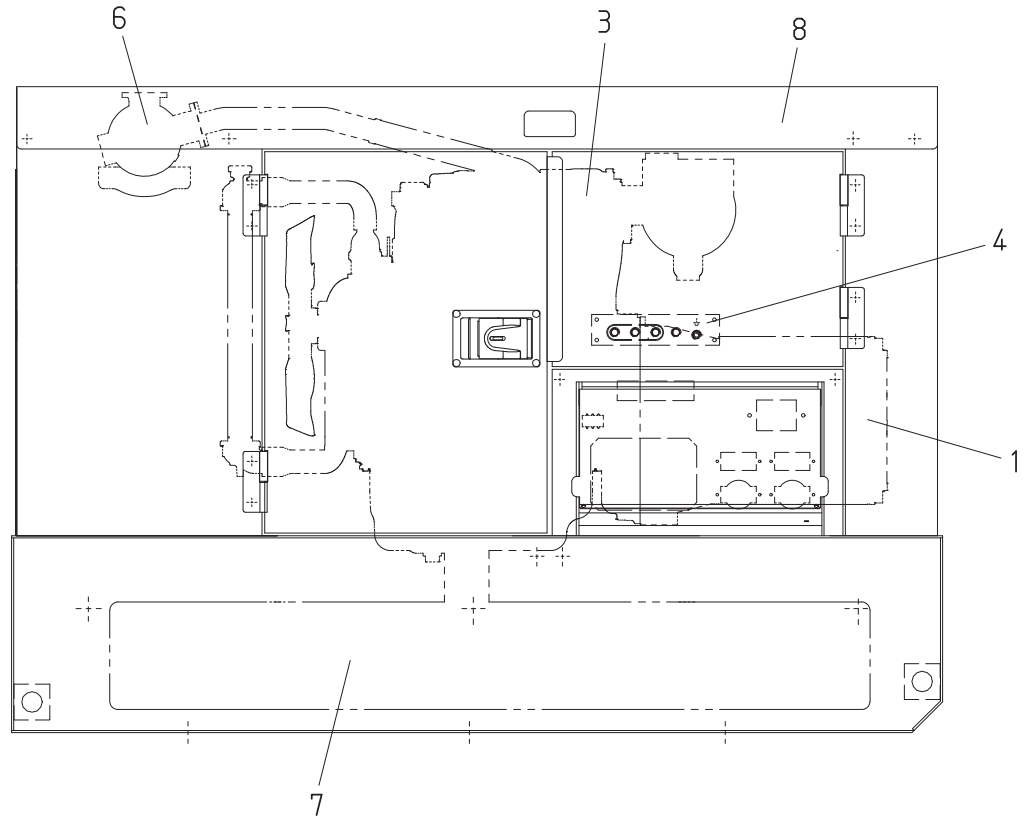
Each symbol 「A」 「B」 「C」 listed in a part of Q'ty shows the appropriate parts number for the unit you purchased. The meaning of the symbol 「A」 「B」 「C」 is listed on the first top place of each assembly group.

Please check the specification of the unit such as frequency, voltage, model No. etc. before placing orders.

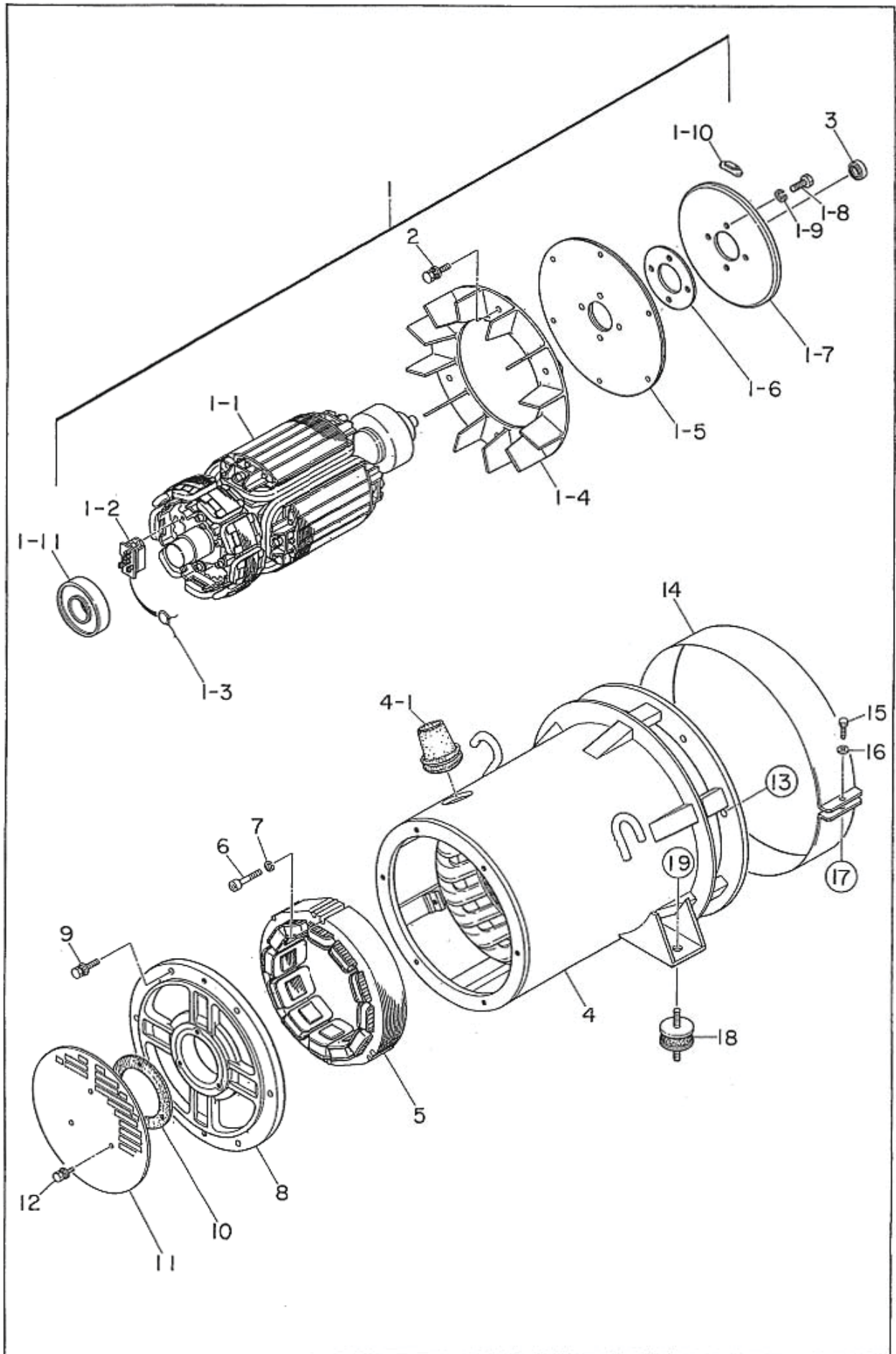
8. Left (L.H.) and Right (R.H.) used in this parts list show the direction when you look at the engine from the generator side.
9. For the engine parts not listed in this parts list, refer to "ISUZU 4LE2T Diesel Engine Parts Catalogue."

I N D E X

| Name | Page |
|--------------------------------------|--------|
| Engine-Driven AC Generator Set | 1 - 1 |
| Generator Ass'y | 2 - 1 |
| Control Box Ass'y | 3 - 1 |
| Engine & Radiator Ass'y | 4 - 1 |
| Output Terminal Ass'y | 5 - 1 |
| Battery Ass'y | 6 - 1 |
| Muffler Ass'y | 7 - 1 |
| Fuel Tank Ass'y | 8 - 1 |
| Bonnet Ass'y (Part 1) | 9 - 1 |
| Bonnet Ass'y (Part 2) | 10 - 1 |
| Name Plate Ass'y | 11 - 1 |

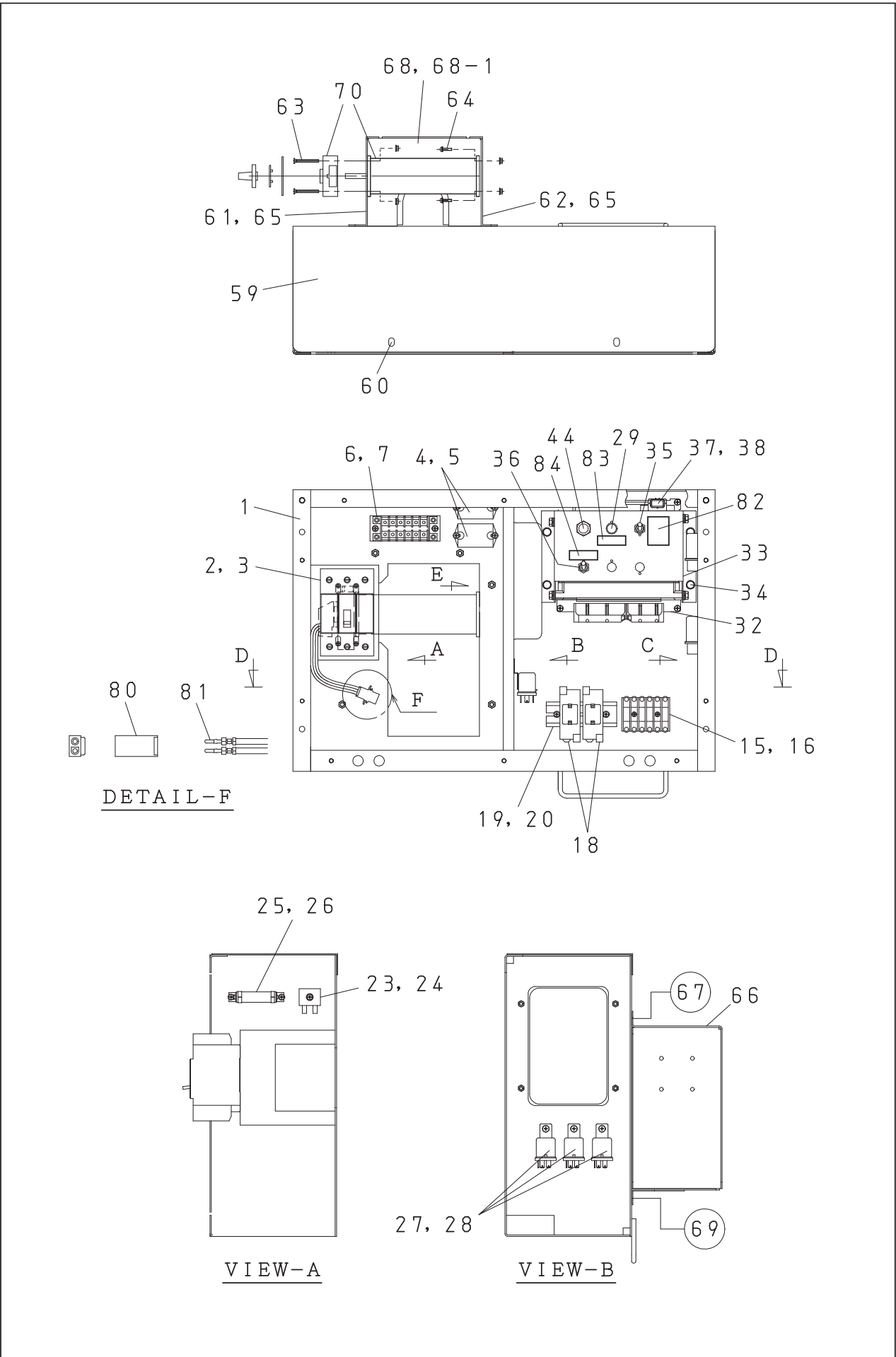


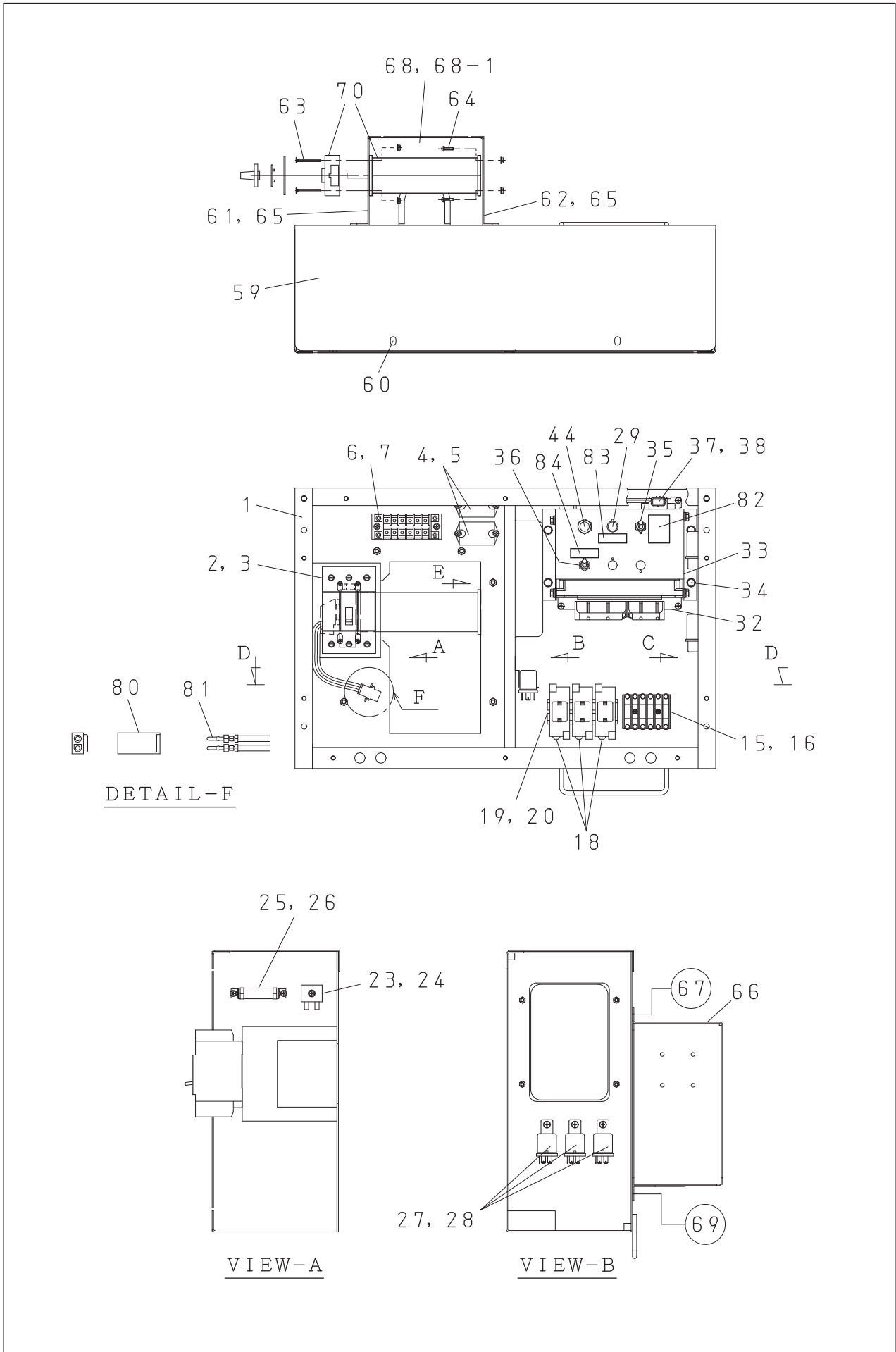
| Key No. | Parts No. | Parts Name | Remarks | Q'ty | | | | Symbol | Serial No. |
|---------|-----------|-------------------------|--------------------------------------|------|---|---|---|----------|------------|
| | | | | All | A | B | C | | |
| 1 | | Generator Ass'y | Refer to p.2-1 | | | | | | |
| 2 | | Control Box Ass'y | Refer to p.3-1,3-2 | | | | | ~7151823 | |
| | | Control Box Ass'y | Refer to p.3-1-1 Refer to p.3-2-1 | | | | | 7151824~ | |
| 3 | | Engine & Radiator Ass'y | Refer to p.4-1 | | | | | | |
| 4 | | Output Terminal Ass'y | Refer to p.5-1 | | | | | | |
| 5 | | Battery Ass'y | Refer to p.6-1 | | | | | | |
| 6 | | Muffler Ass'y | Refer to p.7-1 | | | | | ~7150398 | |
| | | Muffler Ass'y | Refer to p.7-1-1 | | | | | 7150399~ | |
| 7 | | Fuel Tank Ass'y | Refer to p.8-1 | | | | | | |
| 8 | | Bonnet Ass'y(Part 1) | Refer to p.9-1 | | | | | | |
| | | Bonnet Ass'y(Part 2) | Refer to p.10-1 | | | | | | |
| | | Name Plate Ass'y | Refer to p.11-1 | | | | | | |

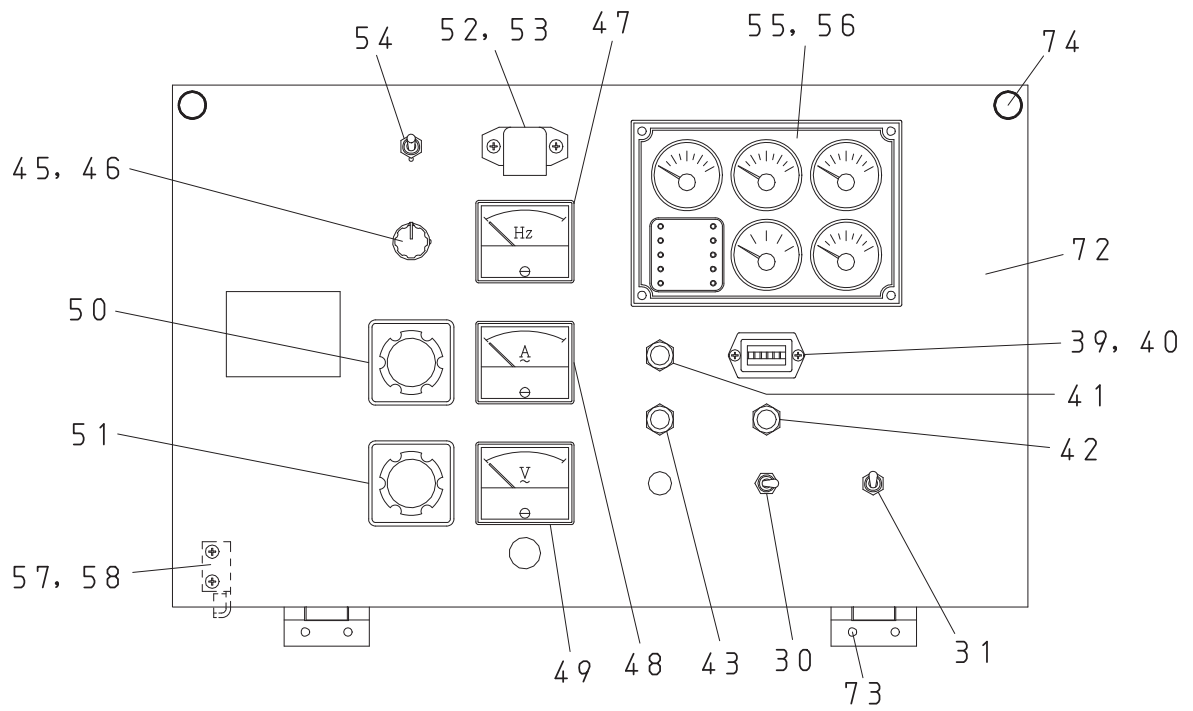
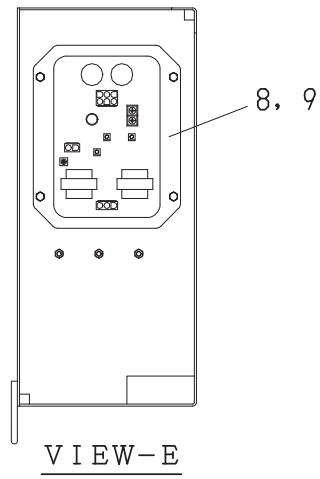
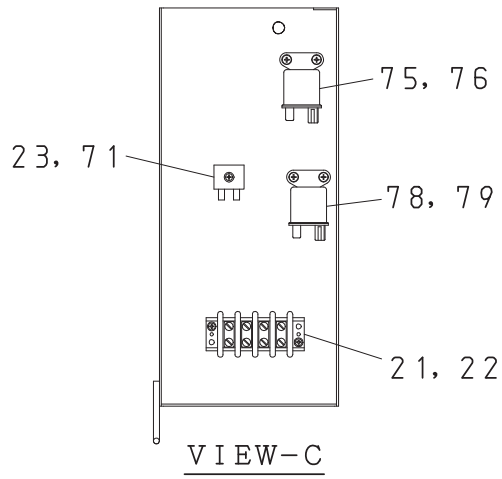
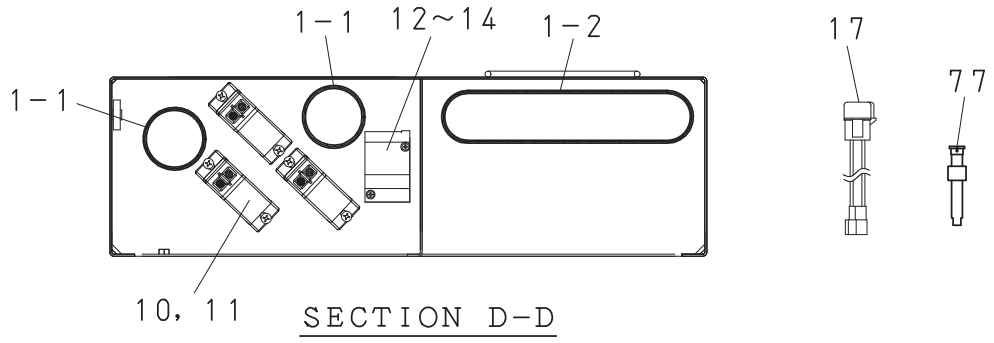


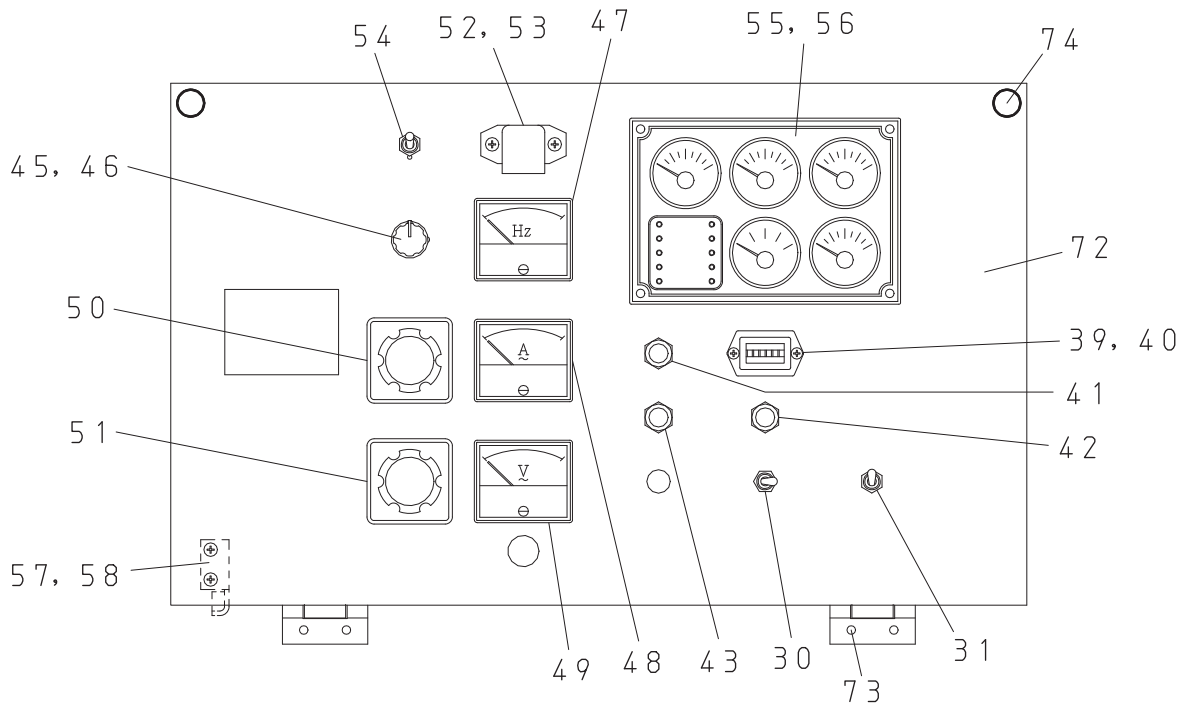
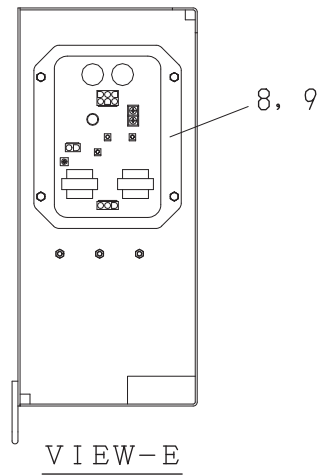
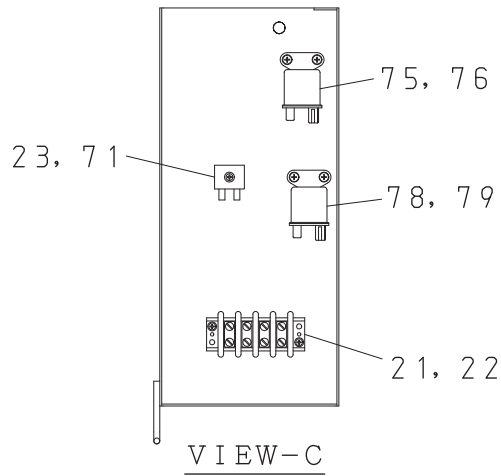
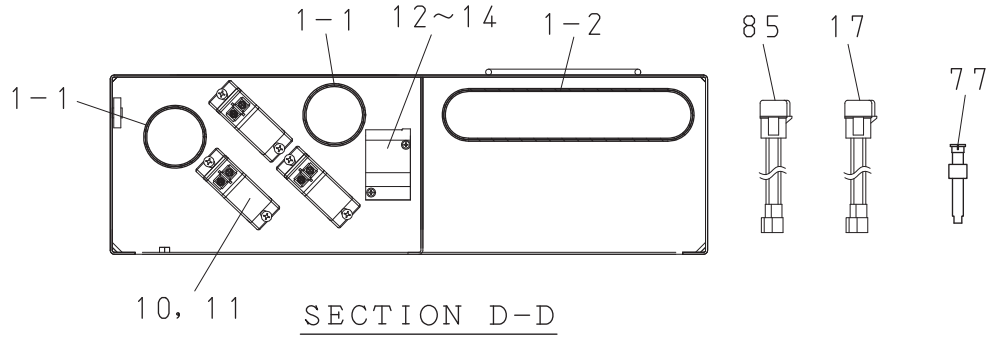
| Key No. | Parts No. | Parts Name | Remarks | Q'ty | | | | Symbol | Serial No. |
|---------|---------------|---|------------|------|---|---|---|--------|------------|
| | | | | All | A | B | C | | |
| 1 | B 11102 00602 | Rotor Ass'y | | 1 | | | | | |
| *1- 1 | | Field Ass'y | | (1) | | | | | |
| 1- 2 | W 79610 25004 | Rectifier | | (1) | | | | | |
| 1- 3 | Y 06018 22630 | Surge Absorber | TNR23G471K | (1) | | | | | |
| 1- 4 | W 80010 70003 | Fan | | (1) | | | | | |
| 1- 5 | W 83516 11004 | Coupling Disk | | (2) | | | | | |
| 1- 6 | W 83516 12004 | Washer, coupling hub | | (1) | | | | | |
| 1- 7 | B 11123 00003 | Balancing Plate Please purchase a set of 1-10 at the same time. | | (1) | | | | | |
| 1- 8 | Y 00103 10025 | Hex. Head Bolt | | (4) | | | | | |
| 1- 9 | Y 00425 10000 | Spring Washer | | (4) | | | | | |
| 1-10 | Y 06010 00209 | Balancing Weight Kit | | (1) | | | | | |
| 1-11 | Y 00719 06308 | Bearing | 6308DDU C3 | (1) | | | | | |
| 2 | Y 00103 08035 | Hex. Head Bolt | | 6 | | | | | |
| | Y 00400 08000 | Spring Washer | | 6 | | | | | |
| | Y 00412 08000 | Plain Washer | | 6 | | | | | |
| 3 | Y 00705 06803 | Bearing | 6803ZZ | 1 | | | | | |
| 4 | B 11302 01103 | Stator Ass'y | | 1 | | | | | |
| 4- 1 | W 08450 41904 | Grommet | | (1) | | | | | |
| 5 | B 11380 00003 | Field Ass'y, exciter | | 1 | | | | | |
| 6 | Y 00160 08045 | Hex. Socket Head Cap Screw S=22 | | 3 | | | | | |

| Key No. | Parts No. | Parts Name | Remarks | Q'ty | | | | Symbol | Serial No. |
|---------|---------------|-------------------|----------|------|---|---|---|--------|------------|
| | | | | All | A | B | C | | |
| 7 | Y 00425 08000 | Spring Washer | | 3 | | | | | |
| 8 | W 83513 15003 | End Bracket | | 1 | | | | | |
| 9 | Y 00171 08035 | Hex. Head Bolt | | 6 | | | | | |
| 10 | W 83513 12004 | Packing | | 1 | | | | | |
| 11 | W 83513 31004 | Cover, suction | | 1 | | | | | |
| 12 | Y 00171 06015 | Hex. Head Bolt | | 3 | | | | | |
| 13 | Y 00103 10030 | Hex. Head Bolt | | 6 | | | | | |
| | Y 00400 10000 | Spring Washer | | 6 | | | | | |
| | Y 00412 10000 | Plain Washer | | 6 | | | | | |
| 14 | B 01554 00204 | Cover, fan | | 1 | | | | | |
| 15 | Y 00101 06030 | Hex. Head Bolt | | 1 | | | | | |
| 16 | Y 00412 06000 | Plain Washer | | 1 | | | | | |
| 17 | Y 06008 15000 | Nut | USN-6001 | 1 | | | | | |
| 18 | Y 06050 00409 | Rubber Suspension | | 2 | | | | | |
| 19 | Y 02070 10000 | Self-Locking Nut | | 2 | | | | | |









| Key No. | Parts No. | Parts Name | Remarks | Q'ty | | | | Symbol | Serial No. |
|---------|---------------|-------------------------------|---------------------------------|------|---|---|---|--------|------------|
| | | | | All | A | B | C | | |
| | M 12477 00604 | Wire Harness, generator | | 1 | | | | | ~7152553 |
| | M 12477 00614 | Wire Harness, generator | | 1 | | | | | 7152554~ |
| | M 13582 00202 | Wire Harness, engine | | 1 | | | | | |
| | M 13582 00302 | Wire Harness, controller | | 1 | | | | | |
| | M 13582 02004 | Wire Harness, Pressure Switch | | 1 | | | | | 7151824~ |
| | Y 06020 44310 | Wire Harness, PCV heater | ISUZU 898334-6920 | 1 | | | | | 7151824~ |
| 1 | M 12140 00302 | Control Box | | 1 | | | | | ~7152553 |
| | M 12140 00312 | Control Box | | 1 | | | | | 7152554~ |
| 1- 1 | Y 04111 00185 | Edge Trim | | 2 | | | | | |
| 1- 2 | Y 04111 00550 | Edge Trim | | 1 | | | | | |
| 2 | Y 06018 70430 | Circuit Breaker | GD3060DS3 3P 60A T. C. 12VDC | 1 | | | | CB1 | |
| 3 | Y 00210 04075 | Machine Screw | | 4 | | | | | |
| 4 | Y 06018 23863 | Relay Unit | MSA9013A | 2 | | | | RY1, 2 | |
| 5 | Y 00271 04015 | Machine Screw | | 4 | | | | | |
| 6 | Y 06018 15870 | Terminal | KT-20 2P | 1 | | | | | |
| | M 95210 00004 | Decal:Terminal | | 1 | | | | | |
| 7 | Y 00271 04020 | Machine Screw | | 2 | | | | | |
| 8 | Y 06018 20608 | Automatic Voltage Regulator | NTA-4A-2DD | 1 | | | | AVR | |
| | Y 06018 06683 | Fuse | FGMB 250V 8A | (1) | | | | | |
| 9 | Y 00271 05015 | Machine Screw | | 4 | | | | | |
| 10 | Y 06018 01122 | Current Transformer | COC-3 100:5A 3-3 | 3 | | | | CT1~3 | |

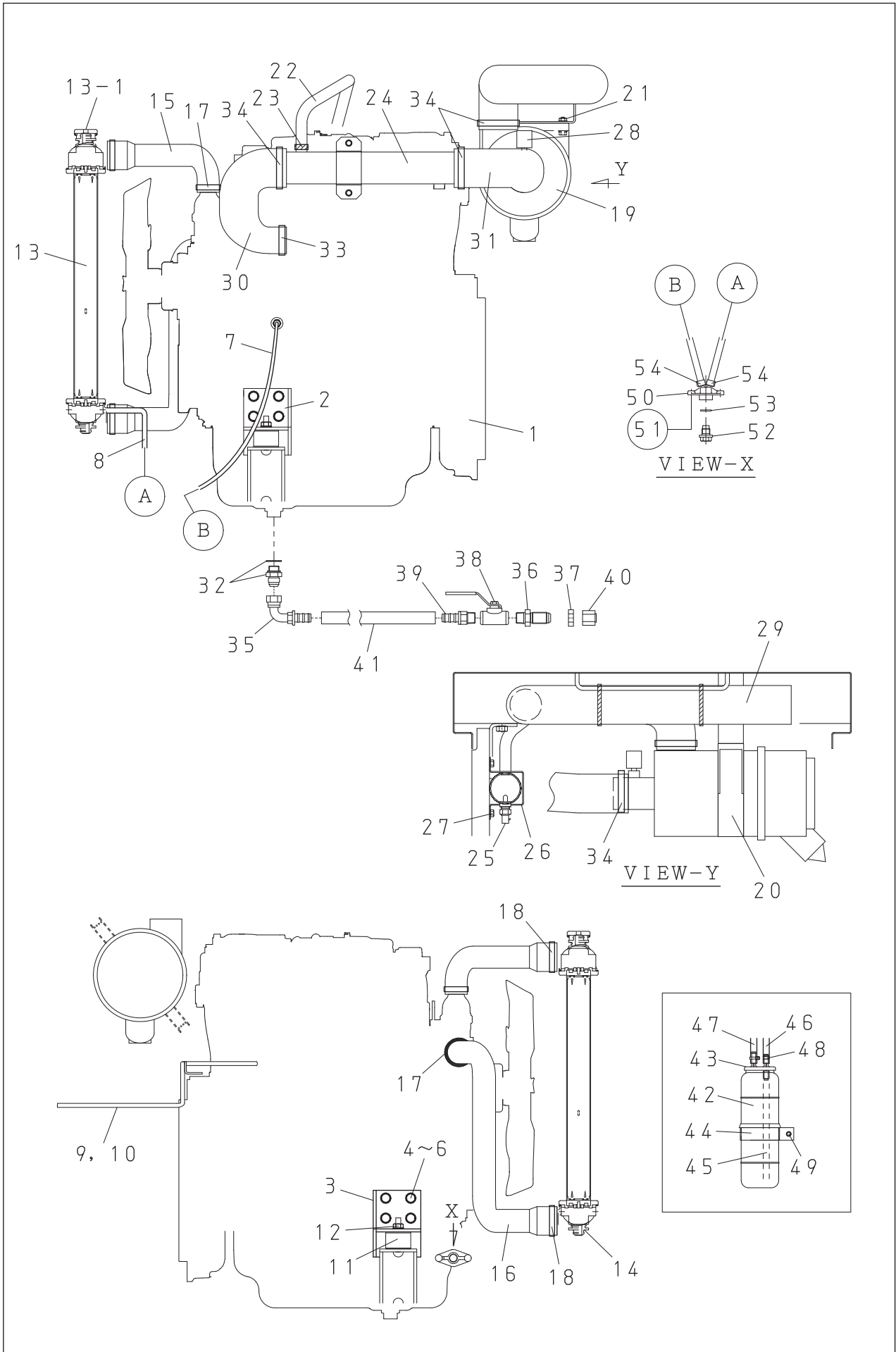
| Key No. | Parts No. | Parts Name | Remarks | Q'ty | | | | Symbol | Serial No. |
|---------|---------------|-------------------------|-------------|------|---|---|---|--------|------------|
| | | | | All | A | B | C | | |
| 11 | Y 00271 06015 | Machine Screw | | 6 | | | | | |
| 12 | Y 06018 20847 | Over Current Relay | TA25DU4.0 | 1 | | | | OC | ~7152553 |
| | Y 06018 20839 | Over Current Relay | T16-3.1 | 1 | | | | OC | 7152554~ |
| 13 | Y 06018 20848 | Over Current Relay Base | DB25/25A | 1 | | | | OC | ~7152553 |
| | Y 06018 20844 | Over Current Relay Base | DB16 | 1 | | | | OC | 7152554~ |
| 14 | Y 00271 04020 | Machine Screw | | 2 | | | | | |
| | Y 02070 04000 | Self-Locking Nut | | 2 | | | | | |
| 15 | Y 06018 02218 | Holder, fuse | F-7111 3P | 2 | | | | | |
| | Y 06018 06671 | Fuse | 15A | 2 | | | | F6, 8 | |
| | Y 06018 02149 | Fuse | 10A | 3 | | | | F3~5 | |
| | Y 06018 02133 | Fuse | 5A | 1 | | | | F7 | |
| 16 | Y 00271 03015 | Machine Screw | | 2 | | | | | |
| 17 | M 23572 02104 | Holder, fuse | | 1 | | | | | |
| | Y 06018 06644 | Fuse | 30A | 1 | | | | F2 | |
| 18 | Y 06018 27656 | Relay | LY-2D DC12V | 2 | | | | RY3, 4 | |
| | Y 06018 23109 | Base | PTF08A-E | 2 | | | | | |
| | Y 06018 24400 | Clip | PYC-A1 | 4 | | | | | |
| | Y 06018 27656 | Relay | LY-2D DC12V | 1 | | | | RY5 | 7151824~ |
| | Y 06018 23109 | Base | PTF08A-E | 1 | | | | | 7151824~ |
| | Y 06018 24400 | Clip | PYC-A1 | 2 | | | | | 7151824~ |
| 19 | Y 02900 00100 | Mounting Rail | | 1 | | | | | |

| Key No. | Parts No. | Parts Name | Remarks | Q'ty | | | | Symbol | Serial No. |
|---------|---------------|----------------------------|----------------------|------|---|---|---|-----------|------------|
| | | | | All | A | B | C | | |
| 20 | Y 00271 04010 | Machine Screw | | 2 | | | | | |
| 21 | Y 06018 15153 | Terminal Block | 603-GP-04 | 1 | | | | TB2 | |
| 22 | Y 00271 04020 | Machine Screw | | 2 | | | | | |
| 23 | Y 06018 23240 | Rectifier | DE45 | 3 | | | | Re1, 2, 3 | |
| 24 | Y 00271 04020 | Machine Screw | | 1 | | | | | |
| 25 | Y 06018 42384 | Resistor | GG20W 50Ω | 1 | | | | R1 | |
| 26 | Y 00271 04010 | Machine Screw | | 2 | | | | | |
| 27 | Y 06022 01400 | Relay | ISUZU 582550-0290 | 3 | | | | | |
| 28 | Y 00271 05010 | Machine Screw | | 3 | | | | | |
| 29 | Y 06018 31205 | Push Button Switch | SB-221 | 1 | | | | | |
| 30 | Y 06018 31340 | Auto Start/Stop Switch | 2GM54-63 | 1 | | | | | |
| 31 | Y 06018 30710 | Engine Speed Switch | S-301T | 1 | | | | | |
| 32 | Y 06022 03050 | Engine Controller (ECM) | ISUZU 898246-0570 | 1 | | | | | |
| 33 | M 12146 00204 | Controller Bracket | | 1 | | | | | |
| 34 | Y 00169 06015 | Hex. Head Bolt | | 8 | | | | | |
| 35 | Y 06018 30710 | Diagnostic Switch | S-301T | 1 | | | | | |
| 36 | Y 06018 30762 | Fuel Pump Switch | S-305T | 1 | | | | | |
| 37 | Y 06021 30220 | Barometric Pressure Sensor | ISUZU 897217-7780 | 1 | | | | | |
| 38 | Y 00271 05015 | Machine Screw | | 2 | | | | | |
| 39 | Y 06018 00682 | Hour Meter | #82014 | 1 | | | | | |
| 40 | Y 00271 03015 | Machine Screw | | 2 | | | | | |

| Key No. | Parts No. | Parts Name | Remarks | Q'ty | | | | Symbol | Serial No. |
|---------|---------------|-------------------------------|---------------------------------|------|---|---|---|--------|------------|
| | | | | All | A | B | C | | |
| | Y 02070 03000 | Self-Locking Nut | | 2 | | | | | |
| 41 | Y 06021 03092 | Fuel Leak Detected Alarm Lamp | PL26R17 18V | 1 | | | | | |
| | Y 06018 10277 | Bulb | G-10 S-9 18V | (1) | | | | | |
| 42 | Y 06021 03092 | Preheat Lamp | PL26R17 18V | 1 | | | | | |
| | Y 06018 10277 | Bulb | G-10 S-9 18V | (1) | | | | | |
| 43 | Y 06021 03092 | Warning Lamp | PL26R17 18V | 1 | | | | | |
| | Y 06018 10277 | Bulb | G-10 S-9 18V | (1) | | | | | |
| 44 | Y 06021 03092 | Alarm Lamp | PL26R17 | 1 | | | | | |
| | Y 06018 10277 | Bulb | G-10 S-9 DC18V | (1) | | | | | |
| 45 | Y 06018 40073 | Rheostat (Voltage Regulator) | RA20A2SE102BJ 2W 1k Ω | 1 | | | | VR | |
| 46 | Y 06018 40121 | Knob | 25N | 1 | | | | | |
| 47 | Y 06018 07641 | Frequency Meter | FCF-6 45~65Hz 240V | 1 | | | | F | |
| 48 | Y 06018 08985 | AC Ammeter | ACF-6 0~50A, 0~100A/5A | 1 | | | | A | |
| 49 | Y 06018 06859 | AC Voltmeter | SCF-6 0~600V | 1 | | | | V | |
| 50 | Y 06018 01040 | Change-Over Switch, ammeter | SL-2AS | 1 | | | | AS | |
| 51 | Y 06018 01041 | Change-Over Switch, voltmeter | SL-2VS | 1 | | | | VS | |
| 52 | Y 06018 10170 | Panel Light | 60001 (N6210-60001) 12V | 1 | | | | | |
| 53 | Y 00271 04020 | Machine Screw | | 2 | | | | | |
| | Y 02070 04000 | Self-Locking Nut | | 2 | | | | | |
| 54 | Y 06018 30710 | Panel Light Switch | S-301T | 1 | | | | | |
| 55 | Y 06022 02653 | Controller | ECU-750 | 1 | | | | | ~7153553 |

| Key No. | Parts No. | Parts Name | Remarks | Q'ty | | | | Symbol | Serial No. |
|---------|---------------|------------------------------|------------|------|---|---|---|--------|------------|
| | | | | All | A | B | C | | |
| | Y 06022 03045 | Controller | ECU-754 | 1 | | | | | 7153554~ |
| 56 | Y 02067 07000 | Hex. Nut | | 4 | | | | | |
| | Y 00448 07000 | Spring Washer | | 4 | | | | | |
| 57 | M 12231 00104 | Stopper | | 1 | | | | | |
| 58 | Y 00271 05010 | Machine Screw | | 2 | | | | | |
| 59 | M 12145 00004 | Control Box Cover | | 1 | | | | | |
| 60 | Y 00169 06015 | Hex. Head Bolt | | 4 | | | | | |
| 61 | M 12146 00804 | Switch Bracket | | 1 | | | | | |
| 62 | M 12146 00904 | Switch Bracket | | 1 | | | | | |
| 63 | Y 00211 04035 | Machine Screw | | 4 | | | | | |
| | Y 02070 04000 | Hex. Nut | | 4 | | | | | |
| 64 | Y 00271 04015 | Machine Screw | | 4 | | | | | |
| | Y 02070 04000 | Hex. Nut | | 4 | | | | | |
| 65 | Y 00169 06015 | Hex. Head Bolt | | 4 | | | | | |
| 66 | M 12146 00004 | Switch Cover | | 1 | | | | | |
| 67 | Y 00169 06015 | Hex. Head Bolt | | 6 | | | | | |
| 68 | M 12146 00104 | Switch Cover | | 1 | | | | | |
| 68- 1 | Y 03177 00180 | Weather Strip | | 1 | | | | | |
| 69 | Y 00169 06015 | Hex. Head Bolt | | 4 | | | | | |
| 70 | M 12701 00004 | Selector Switch | G26 USN194 | 1 | | | | SW | |
| | M 15500 02704 | Decal:Selector Switch Number | M1500 0270 | 1 | | | | | |

| Key No. | Parts No. | Parts Name | Remarks | Q'ty | | | | Symbol | Serial No. |
|---------|---------------|------------------------------|----------------------|------|---|---|----|--------|------------|
| | | | | All | A | B | C | | |
| | M 15500 02804 | Decal:Selector Switch Number | M1500 0280 | 1 | | | | | |
| 71 | Y 00271 04030 | Machine Screw | | 1 | | | | | |
| 72 | M 12240 00103 | Control Panel | | 1 | | | | | |
| 73 | Y 00271 05010 | Machine Screw | | 4 | | | | | |
| 74 | M 92201 00004 | Set Screw | | 2 | | | | | |
| | Y 00802 00007 | E-Snap Ring | S-7 | 2 | | | | | |
| 75 | Y 06022 02502 | Relay, starter | ISUZU 894248-1610 | 1 | | | | | |
| 76 | Y 00271 05010 | Machine Screw | | 2 | | | | | |
| 77 | Y 06018 06640 | Fuse | 65A | 1 | | | F1 | | |
| 78 | Y 06022 02685 | Glow Plug Relay | ISUZU 897011-9490 | 1 | | | | | |
| 79 | Y 00271 05010 | Machine Screw | | 2 | | | | | |
| 80 | Y 06018 12626 | Plug | 19-09-2029 | 1 | | | | | |
| 81 | Y 06018 12712 | Pins(Male) | 02-09-2103 | 2 | | | | | |
| 82 | M 95200 00904 | Decal:Diagnostic Switch | M9200 0090 | 1 | | | | | |
| 83 | M 95200 01104 | Decal:Diagnostic Button | M9200 0110 | 1 | | | | | |
| 84 | M 95200 02104 | Decal:Fuel Pump Switch | M9200 0210 | 1 | | | | | |
| 85 | M 23572 02104 | Holder, fuse | | 1 | | | | | 7151824~ |
| | Y 06018 06645 | Fuse | 10A | 1 | | | F9 | | 7151824~ |

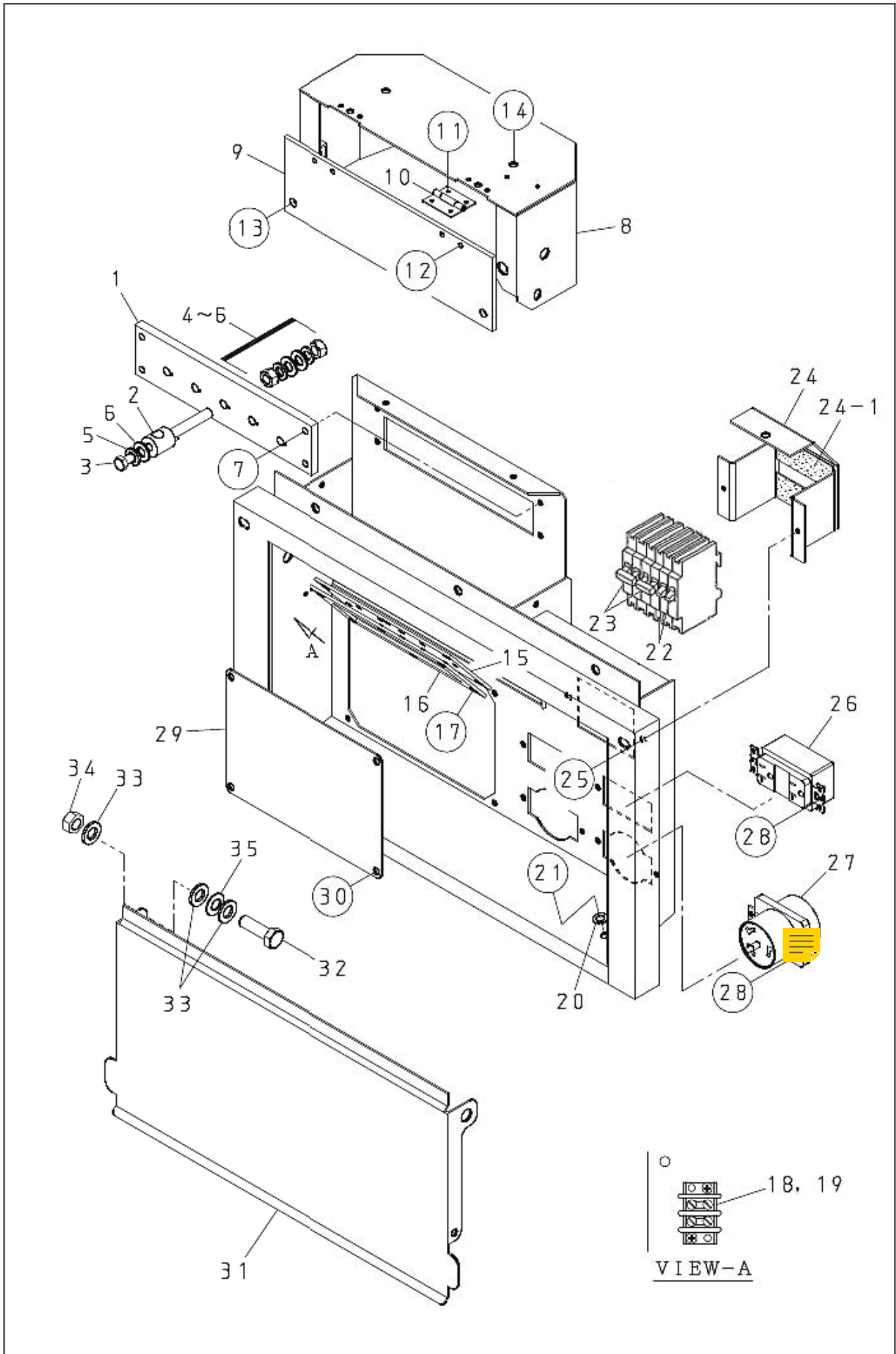


| Key No. | Parts No. | Parts Name | Remarks | Q'ty | | | | Symbol | Serial No. |
|---------|---------------|-----------------------|-----------------------|------|---|---|---|----------|------------|
| | | | | All | A | B | C | | |
| 1 | M 19242 00074 | Engine | ISUZU 4LE2T | 1 | | | | | |
| | Y 06022 10060 | Pressure Switch | ISUZU 898319-3760 | 1 | | | | 7151824~ | |
| | Y 06022 11629 | Adapter | ISUZU 8983337-7180 | 1 | | | | 7151824~ | |
| 1-1 | Y 06020 41210 | Cartridge, oil filter | ISUZU 894456-7412 | (1) | | | | | |
| 2 | M 13032 00304 | Engine Foot | | 1 | | | | | |
| 3 | M 13052 00204 | Engine Foot | | 1 | | | | | |
| 4 | Y 00103 10025 | Hex. Head Bolt | | 8 | | | | | |
| 5 | Y 00400 10000 | Spring Washer | | 8 | | | | | |
| 6 | Y 00412 10000 | Plain Washer | | 8 | | | | | |
| 7 | Y 01999 00900 | Drain Hose | | 1 | | | | | |
| 8 | Y 01999 00680 | Drain Hose | | 1 | | | | | |
| 9 | M 13583 00403 | Clamper Rod | | 1 | | | | | |
| 10 | Y 00171 10020 | Hex. Head Bolt | | 2 | | | | | |
| 11 | Y 06050 00408 | Rubber Suspension | 5035K | 2 | | | | | |
| 12 | Y 02070 10000 | Hex. Nut | | 2 | | | | | |
| 13 | M 19242 00164 | Radiator | G281-013-0001 | 1 | | | | | |
| | M 92001 00904 | Plug | | 1 | | | | | |
| | Y 01500 00016 | O Ring | P-16 | 1 | | | | | |
| 13- 1 | Y 06020 15700 | Cap | TRAD C89C-002-5010 | (1) | | | | | |
| 14 | M 93122 00104 | Mount Rubber | | 4 | | | | | |
| 15 | M 13115 00203 | Radiator Hose | | 1 | | | | | |

| Key No. | Parts No. | Parts Name | Remarks | Q'ty | | | | Symbol | Serial No. |
|---------|---------------|------------------------------|----------------------|------|---|---|---|----------|------------|
| | | | | All | A | B | C | | |
| 16 | M 13115 00303 | Radiator Hose | | 1 | | | | | |
| 17 | Y 06055 15149 | Hose Band | 5024 | 2 | | | | | |
| 18 | Y 06055 15147 | Hose Band | 5032 | 2 | | | | | |
| 19 | Y 06020 46590 | Air Cleaner | FPG06-5424 | 1 | | | | | |
| | Y 06020 46309 | Primary Element | P822768 | (1) | | | | | |
| | Y 06020 46689 | Safety Element | P822769 | (1) | | | | | |
| 20 | Y 06020 40553 | Air Cleaner Band | P77-8810-016-210 | 1 | | | | | |
| 21 | Y 00169 08030 | Hex. Head Bolt | | 2 | | | | | |
| | Y 02070 08000 | Self-Locking-Nut | | 2 | | | | | |
| 22 | Y 02692 00520 | Push-Lock-Hose | | 1 | | | | ~7151823 | |
| | M 13272 00004 | Blow-by Hose | | 1 | | | | 7151824~ | |
| | Y 03784 00160 | Aeroflex Tube | | 1 | | | | 7151824~ | |
| 23 | Y 06055 15198 | Hose Band | 5008 | 2 | | | | ~7151823 | |
| | Y 06055 15198 | Hose Band | 5008 | 1 | | | | 7151824~ | |
| | Y 06055 15321 | Hose Band | 5012 | 1 | | | | 7151824~ | |
| 24 | M 13740 00003 | Air cleaner pipe | | 1 | | | | ~7151823 | |
| | M 13740 00013 | Air cleaner pipe | | 1 | | | | 7151824~ | |
| | Y 06020 44300 | PCV Heater | ISUZU 898192-4670 | 1 | | | | 7151824~ | |
| 25 | Y 06032 10240 | Inlet Air Temperature Sensor | ISUZU 812146-8300 | 1 | | | | | |
| 26 | M 13742 00204 | Bracket, air cleaner pipe | | 1 | | | | | |
| | Y 02221 00060 | Rubber Seal | | 1 | | | | | |

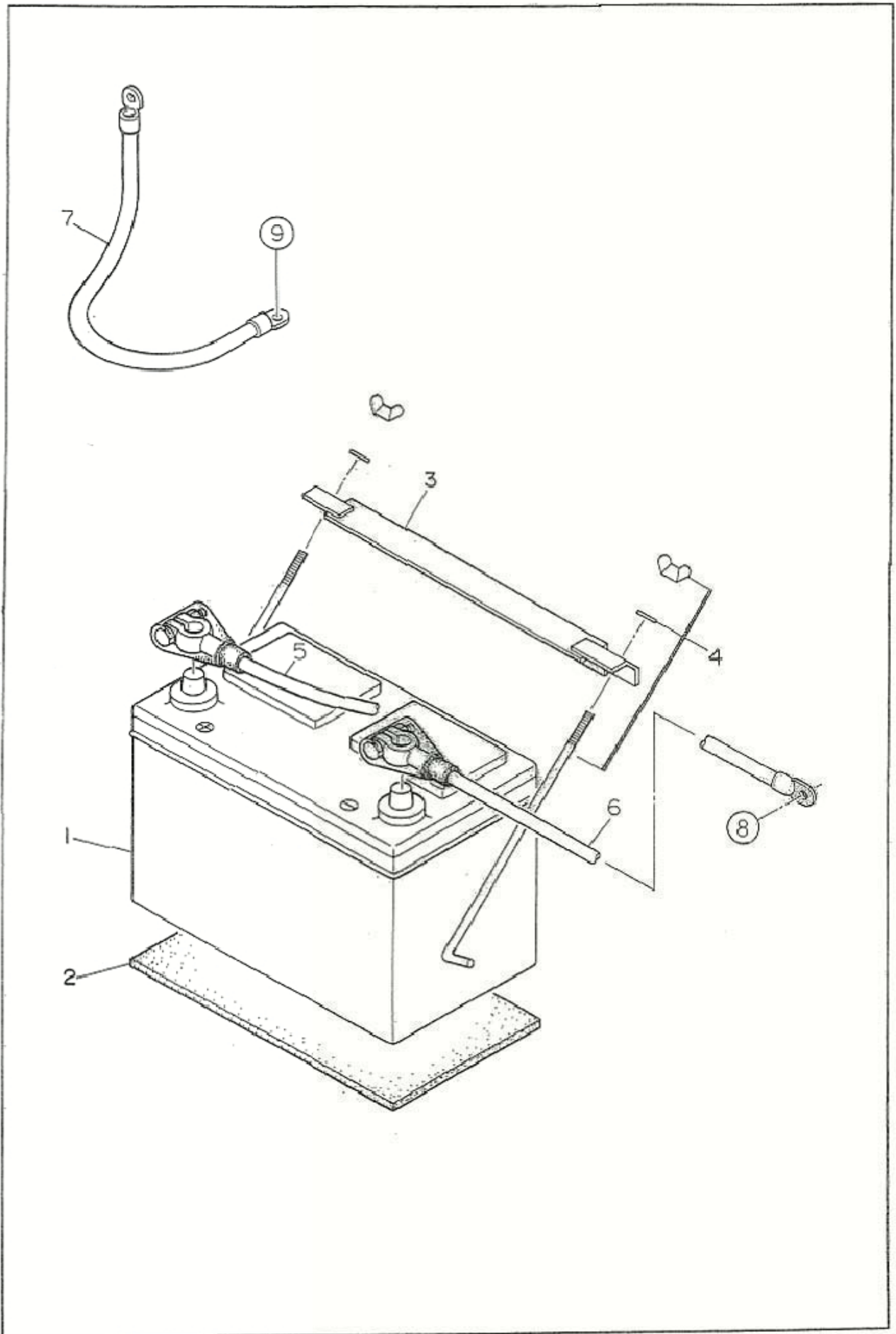
| Key No. | Parts No. | Parts Name | Remarks | Q'ty | | | | Symbol | Serial No. |
|---------|---------------|------------------------|---------------------|------|---|---|---|--------|------------|
| | | | | All | A | B | C | | |
| 27 | Y 00169 08020 | Hex. Head Bolt | | 2 | | | | | |
| 28 | Y 06020 40651 | Indicator, air cleaner | RBX00-2352 | 1 | | | | | |
| 29 | M 13741 00203 | Air Cleaner Hose | | 1 | | | | | |
| 30 | M 13741 00303 | Air Cleaner Hose | | 1 | | | | | |
| 31 | M 13741 00403 | Air Cleaner Hose | | 1 | | | | | |
| 32 | Y 06020 22581 | Adapter | 10M24×2.0 F80X-S | 1 | | | | | |
| 33 | Y 06055 15147 | Hose Band | 5032 | 1 | | | | | |
| 34 | Y 06055 15178 | Hose Band | 5044 | 4 | | | | | |
| 35 | Y 06020 22561 | 90° Elbow | 33982-10-10+ | 1 | | | | | |
| 36 | Y 06033 06590 | Connector | 10WFTX-S | 1 | | | | | |
| 37 | Y 06033 00285 | Rocknut | 10WLN | 1 | | | | | |
| 38 | Y 06055 11395 | Valve | XV500P-8 | 1 | | | | | |
| 39 | Y 06033 06395 | Hose Joint | 30182-8-10 | 1 | | | | | |
| 40 | Y 06020 21070 | Cap | 10FNTX-S | 1 | | | | | |
| 41 | Y 02692 00600 | Drain Hose | 836-10 | 1 | | | | | |
| 42 | M 93000 00003 | Reserve Tank | | 1 | | | | | |
| 43 | M 93001 00003 | Cap, reserve tank | | 1 | | | | | |
| 44 | M 13171 00004 | Bracket, reserve tank | | 1 | | | | | |
| 45 | Y 01991 00215 | Hose | | 1 | | | | | |
| 46 | Y 01999 00520 | Over Flow Hose | | 1 | | | | | |
| 47 | Y 01936 01000 | Over Flow Hose | | 1 | | | | | |

| Key No. | Parts No. | Parts Name | Remarks | Q'ty | | | | Symbol | Serial No. |
|---------|---------------|----------------|---------|------|---|---|---|--------|------------|
| | | | | All | A | B | C | | |
| 48 | Y 06055 15189 | Hose Band | 6204 | 2 | | | | | |
| 49 | Y 00169 08020 | Hex. Head Bolt | | 1 | | | | | |
| 50 | M 96020 00003 | Drain Joint | ZDC-12 | 1 | | | | | |
| 51 | Y 00169 06020 | Hex. Head Bolt | | 2 | | | | | |
| 52 | M 92002 00004 | Drain Bolt | | 1 | | | | | |
| 53 | Y 01500 00018 | O Ring | P-18 | 1 | | | | | |
| 54 | Y 06055 15189 | Hose Band | 6204 | 4 | | | | | |

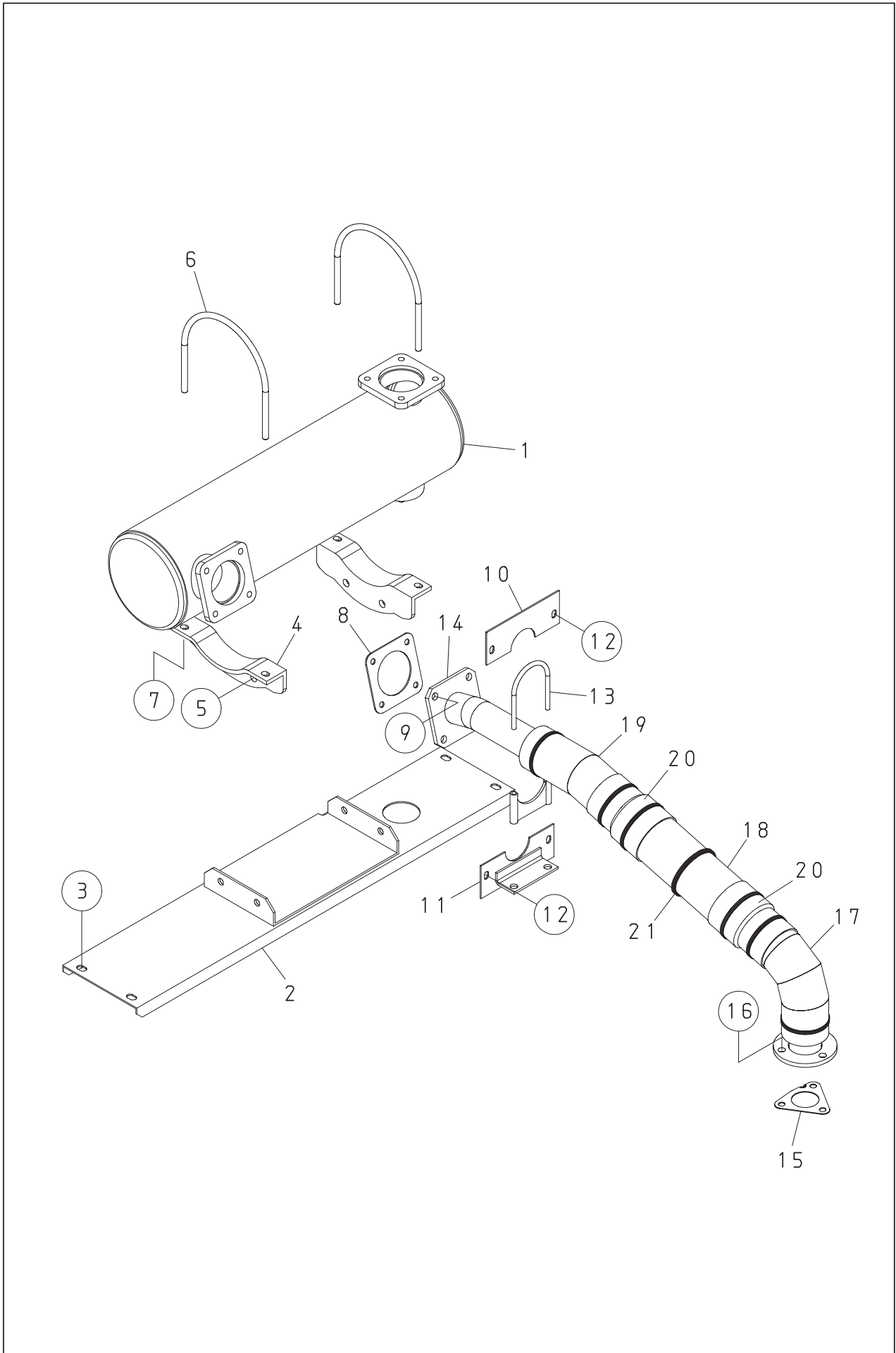


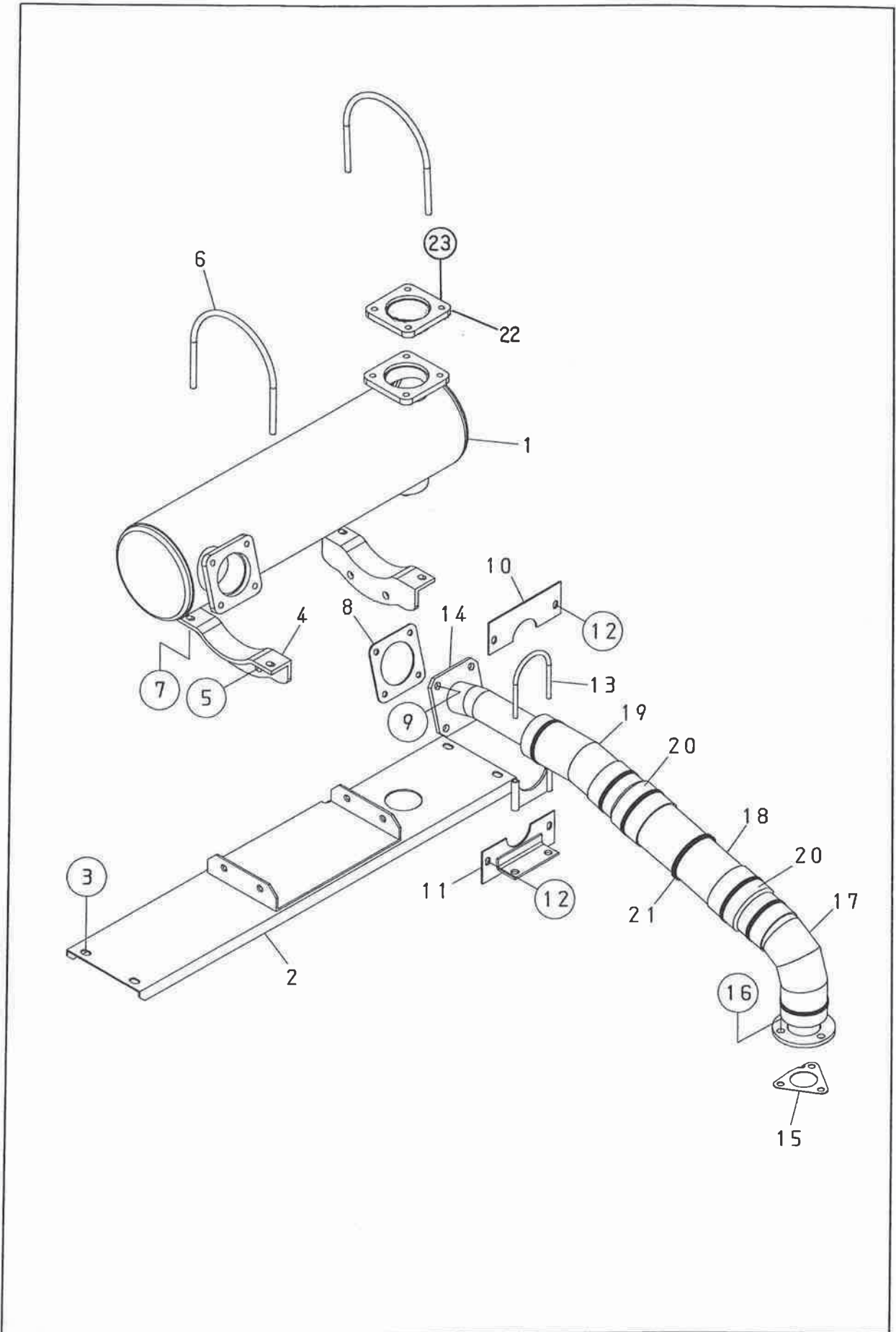
| Key No. | Parts No. | Parts Name | Remarks | Q'ty | | | | Symbol | Serial No. |
|---------|---------------|-------------------------------|----------|------|---|---|---|--------|------------|
| | | | | All | A | B | C | | |
| 1 | M 12307 00003 | Terminal Panel | | 1 | | | | | |
| 2 | M 92200 00004 | Output Terminal Bolt | | 5 | | | | | |
| 3 | M 92200 00104 | Tie Bolt | | 5 | | | | | |
| 4 | Y 00393 08000 | Hex. Nut | | 10 | | | | | |
| 5 | Y 00400 08000 | Spring Washer | | 15 | | | | | |
| 6 | Y 00414 08000 | Plain Washer | | 20 | | | | | |
| 7 | Y 00169 06020 | Hex. Head Bolt | | 4 | | | | | |
| 8 | M 12371 00103 | 3-Phase Output Terminal Cover | | 1 | | | | | |
| 9 | M 12361 00404 | Output Window | | 1 | | | | | |
| 10 | Y 06050 10040 | Hinge | TH-TM122 | 2 | | | | | |
| 11 | Y 00271 03010 | Machine Screw | | 4 | | | | | |
| | Y 00300 03000 | Hex. Nut | | 4 | | | | | |
| | Y 00412 03000 | Plain Washer | | 4 | | | | | |
| 12 | Y 00271 03010 | Machine Screw | | 4 | | | | | |
| | Y 00300 03000 | Hex. Nut | | 4 | | | | | |
| 13 | M 92201 00804 | Set Screw | | 2 | | | | | |
| | Y 00400 06000 | Spring Washer | | 2 | | | | | |
| | Y 00412 06000 | Plain Washer | | 2 | | | | | |
| | Y 00802 00005 | E-Snap Ring | | 2 | | | | | |
| 14 | Y 00169 06015 | Hex. Head Bolt | | 4 | | | | | |
| 15 | M 12364 00004 | Cable Outlet Cover | | 1 | | | | | |

| Key No. | Parts No. | Parts Name | Remarks | Q'ty | | | | Symbol | Serial No. |
|---------|---------------|-------------------------------|----------------------------|------|---|---|---|---------|------------|
| | | | | All | A | B | C | | |
| 16 | M 12363 00004 | Supporter, cable outlet cover | | 1 | | | | | |
| 17 | Y 00169 06020 | Hex. Head Bolt | | 6 | | | | | |
| 18 | Y 06018 15194 | Terminal Block | 601-GP-02 | 1 | | | | TB1 | |
| 19 | Y 00271 04015 | Machine Screw | | 2 | | | | | |
| 20 | Y 00405 08000 | Toothed Washer | | 1 | | | | | |
| 21 | Y 00192 08020 | Hex. Head Bolt | | 1 | | | | | |
| 22 | Y 06018 70440 | Circuit Breaker | QCF 1020 1P 20A | 2 | | | | CB4, 5 | |
| 23 | Y 06018 70441 | Circuit Breaker | QCF 2050 2P 50A | 2 | | | | CB2, 3 | |
| 24 | M 12607 00404 | Breaker Fitting Cover | | 1 | | | | | |
| 24- 1 | Y 02221 00080 | Cushion Rubber | | 2 | | | | | |
| 25 | Y 00169 06020 | Hex. Head Bolt | | 2 | | | | | |
| 26 | Y 06018 14024 | Receptacle | GFRST20DEN 125V 20A × 2 | 2 | | | | CON3, 4 | |
| 27 | Y 06018 14014 | Receptacle | CS6369L 250V 50A | 2 | | | | CON1, 2 | |
| 28 | Y 00271 04015 | Machine Screw | | 8 | | | | | |
| | Y 02070 04000 | Hex. Nut | | 8 | | | | | |
| 29 | M 12364 00104 | Cover | | 1 | | | | | |
| 30 | Y 00169 06015 | Hex. Head Bolt | | 4 | | | | | |
| 31 | M 12371 00003 | Terminal Cover | | 1 | | | | | |
| 32 | Y 00101 12045 | Hex. Head Bolt | | 2 | | | | | |
| 33 | Y 00412 12000 | Plain Washer | | 6 | | | | | |
| 34 | Y 00300 12000 | Hex. Nut | double nut | 2 | | | | | |
| 35 | Y 06050 50060 | Conical Spring Washer | | 2 | | | | | |

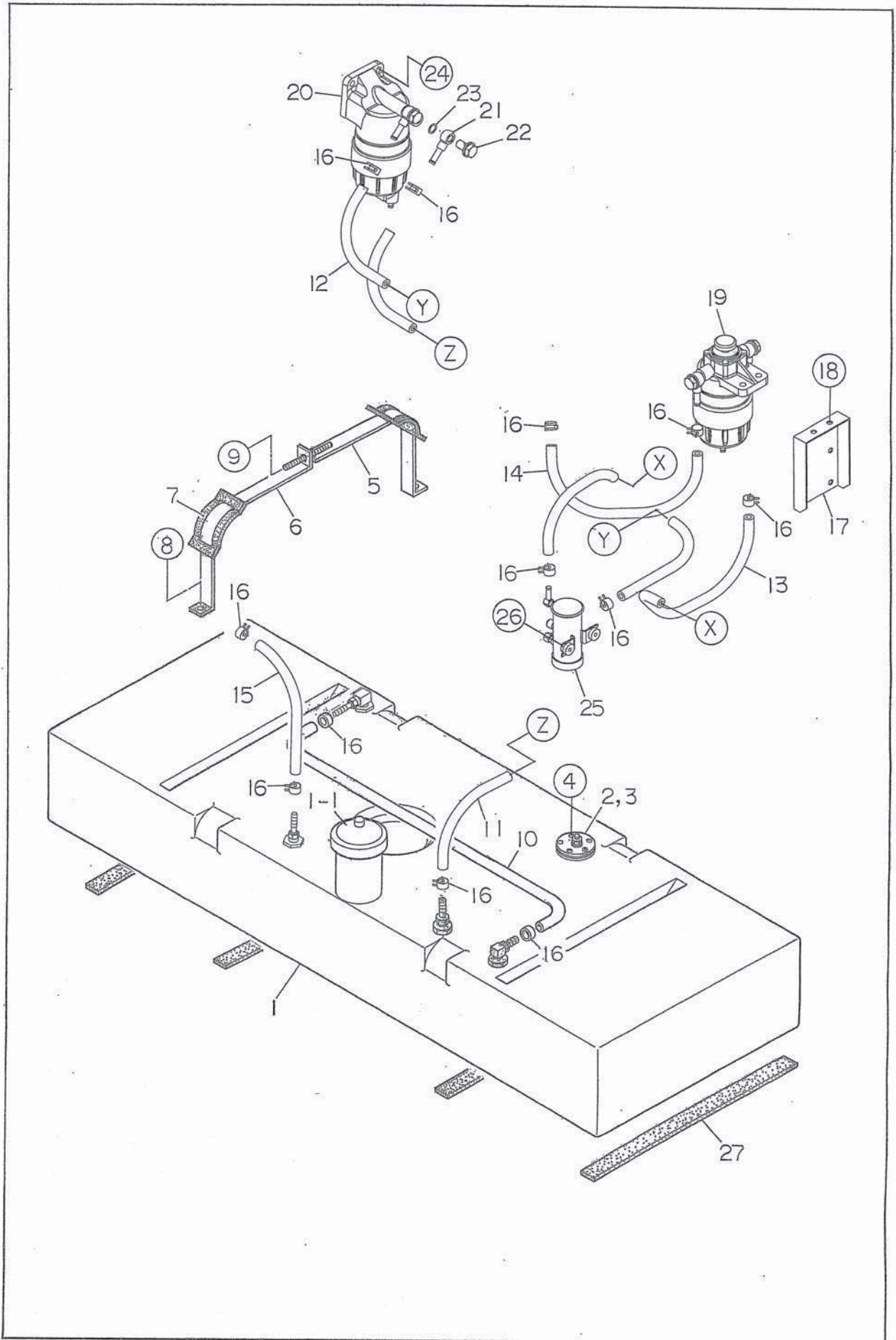


| Key No. | Parts No. | Parts Name | Remarks | Q'ty | | | | Symbol | Serial No. |
|---------|---------------|------------------|------------------|------|---|---|---|--------|------------|
| | | | | All | A | B | C | | |
| 1 | Y 06022 20185 | Battery | 427MFD | 1 | | | | | |
| 2 | M 93105 00014 | Battery Sheet | | 1 | | | | | |
| 3 | M 91030 00304 | Battery Band | | 1 | | | | | |
| 4 | Y 06022 20920 | Battery Bolt Set | BHL-10J 1/4-L10" | 2 | | | | | |
| 5 | M 13464 00004 | Battery Cable | | 1 | | | | | |
| 6 | M 23469 00304 | Battery Cable | | 1 | | | | | |
| 7 | | Cable | | 1 | | | | | |
| 8 | Y 00171 10025 | Hex. Head Bolt | | 1 | | | | | |
| | Y 00405 10000 | Toothed Washer | | 1 | | | | | |
| 9 | Y 00192 08020 | Hex. Head Bolt | | 1 | | | | | |
| | Y 00405 08000 | Toothed Washer | | 1 | | | | | |



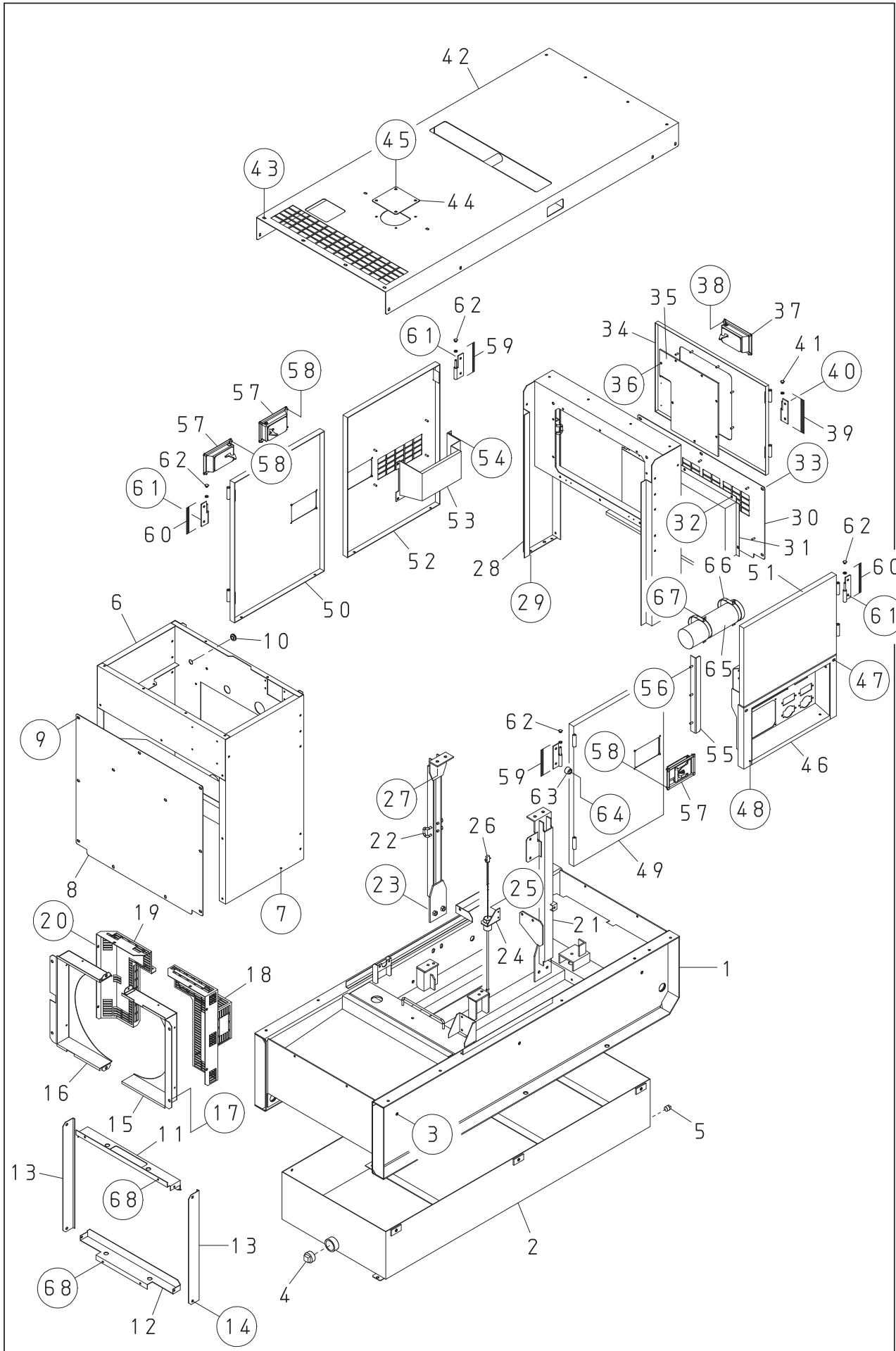


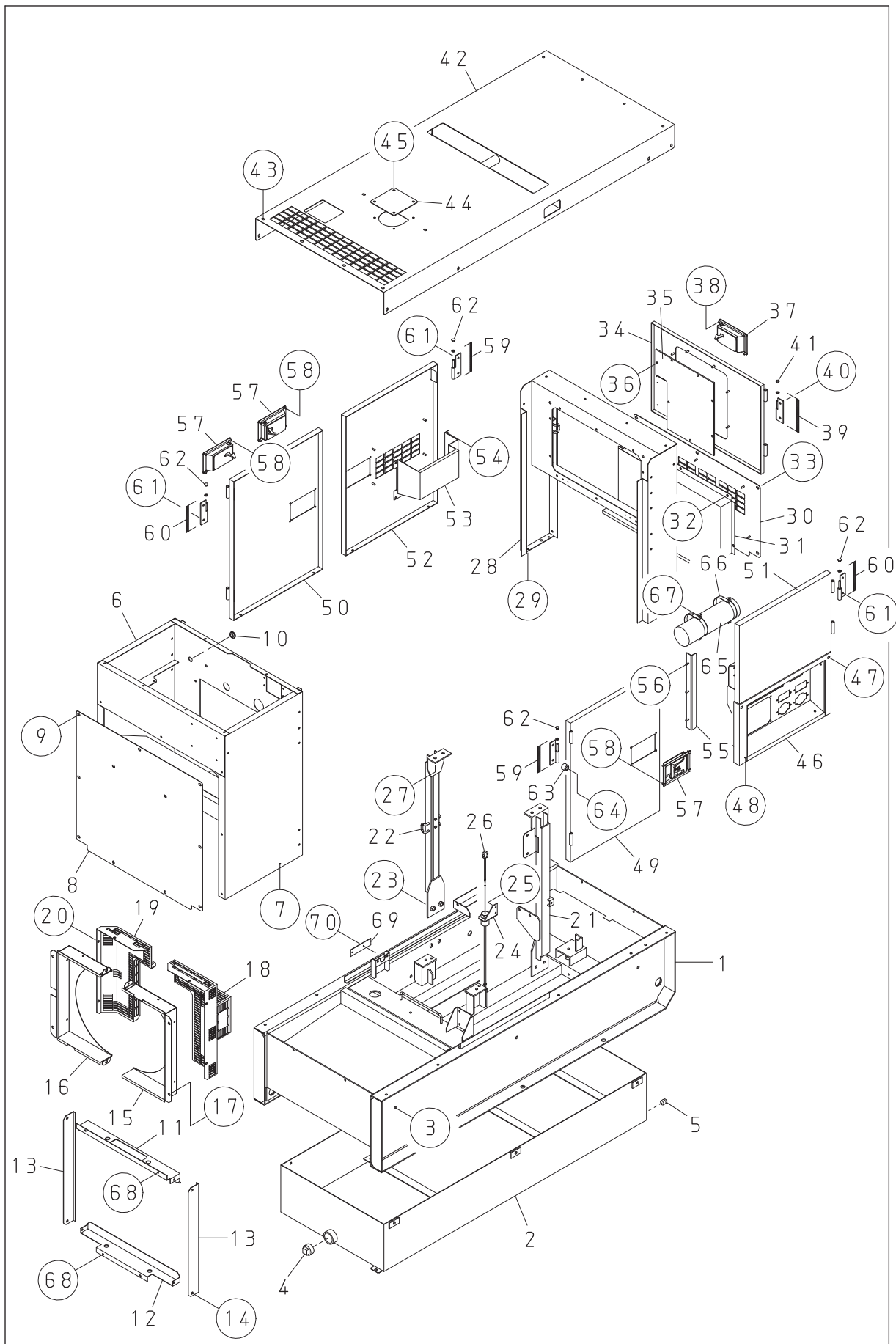
| Key No. | Parts No. | Parts Name | Remarks | Q'ty | | | | Symbol | Serial No. |
|---------|---------------|-------------------------|----------------------|------|---|---|---|--------|------------|
| | | | | All | A | B | C | | |
| 1 | Y 06023 30111 | DOC | ISUZU 898235-3890 | 1 | | | | | |
| 2 | M 13314 00103 | DOC Bracket | | 1 | | | | | |
| 3 | Y 00169 08020 | Hex. Head Bolt | | 4 | | | | | |
| 4 | Y 06023 30210 | DOC Support | ISUZU 898228-4330 | 2 | | | | | |
| 5 | Y 00169 10025 | Hex. Head Bolt | | 4 | | | | | |
| 6 | Y 06023 22091 | U Bolt | ISUZU 898210-3230 | 2 | | | | | |
| 7 | Y 00379 08000 | Self-Locking Nut | | 4 | | | | | |
| | Y 00412 08000 | Plain Washer | | 4 | | | | | |
| 8 | Y 06023 20212 | Gasket | ISUZU 897373-1080 | 1 | | | | | |
| 9 | Y 06023 22090 | Hex. Head Bolt | ISUZU 898043-5280 | 4 | | | | | |
| | Y 06023 23007 | Hex. Nut | ISUZU 897161-6070 | 4 | | | | | |
| 10 | M 13314 00204 | Cover, exhaust pipe | | 1 | | | | | |
| 11 | M 13314 00304 | Bracket, exhaust pipe | | 1 | | | | | |
| 12 | Y 00169 06015 | Hex. Head Bolt | | 4 | | | | | |
| 13 | Y 06023 26066 | U Bolt | 89541K | 1 | | | | | |
| 14 | M 13340 00703 | Exhaust Pipe | | 1 | | | | | |
| 15 | Y 06023 20211 | Gasket | ISUZU 897367-9180 | 1 | | | | | |
| 16 | Y 02071 08000 | Self-Locking Nut | | 3 | | | | | |
| 17 | M 13314 00504 | Exhaust Heat Shield (A) | | 1 | | | | | |
| 18 | M 13314 00904 | Exhaust Heat Shield (B) | | 1 | | | | | |
| 19 | M 13314 01004 | Exhaust Heat Shield (C) | | 1 | | | | | |
| 20 | Y 02721 00270 | Heat Shield Tape | | 2 | | | | | |
| 21 | Y 06023 25051 | Metal Cable Tie | | 7 | | | | | |
| 22 | M 13343 00504 | Flange | | 1 | | | | | 7150399~ |
| 23 | Y 00169 08020 | Hex. Head Bolt | | 4 | | | | | 7150399~ |



| Key No. | Parts No. | Parts Name | Remarks | Q'ty | | | | Symbol | Serial No. |
|---------|---------------|---------------------|----------------------|------|---|---|---|--------|------------|
| | | | | All | A | B | C | | |
| 1 | M 13640 00302 | Fuel Tank | | 1 | | | | | |
| 1- 1 | Y 06055 05070 | Cap, fuel tank | | (1) | | | | | |
| 2 | Y 06055 01055 | Fuel Sender Unit | | 1 | | | | | |
| 3 | Y 06055 16090 | Gasket | | 1 | | | | | |
| 4 | Y 06055 53030 | Machine Screw | | 5 | | | | | |
| 5 | M 13632 00304 | Tank Band | | 2 | | | | | |
| 6 | M 13652 00204 | Tank Band | | 2 | | | | | |
| 7 | M 93105 00104 | Supporter Sheet | | 4 | | | | | |
| 8 | Y 00169 08020 | Hex. Head Bolt | | 4 | | | | | |
| 9 | Y 02070 08000 | Self-Locking Nut | | 4 | | | | | |
| 10 | Y 01913 01200 | Vent Hose | | 1 | | | | | |
| 11 | Y 01913 00820 | Suction Hose | | 1 | | | | | |
| 12 | Y 01913 00850 | Suction Hose | | 1 | | | | | |
| 13 | Y 01913 01150 | Suction Hose | | 1 | | | | | |
| 14 | Y 01913 00900 | Suction Hose | | 1 | | | | | |
| 15 | Y 01913 01300 | Return Hose | | 1 | | | | | |
| 16 | Y 06055 15189 | Hose Band | 6204 | 12 | | | | | |
| 17 | M 13677 00104 | Fuel Filter Bracket | | 1 | | | | | |
| 18 | Y 00169 08020 | Hex. Head Bolt | | 4 | | | | | |
| 19 | Y 06020 42428 | Fuel Filter (Main) | ISUZU 898236-9900 | 1 | | | | | |

| Key No. | Parts No. | Parts Name | Remarks | Q'ty | | | | Symbol | Serial No. |
|---------|---------------|--------------------|----------------------|------|---|---|---|--------|------------|
| | | | | All | A | B | C | | |
| 20 | Y 06020 42429 | Fuel Filter (Pre.) | ISUZU 898236-9910 | 1 | | | | | |
| 21 | Y 06020 42623 | Joint Pipe | ISUZU 898126-3320 | 4 | | | | | |
| 22 | Y 06020 42624 | Eye Bolt | ISUZU 109675-1930 | 4 | | | | | |
| 23 | Y 06020 21700 | Packing | ISUZU 109630-0850 | 8 | | | | | |
| 24 | Y 00171 10035 | Hex. Head Bolt | | 4 | | | | | |
| 25 | Y 06020 23240 | Fuel Feed Pump | ISUZU 898068-2750 | 1 | | | | | |
| 26 | Y 00169 06025 | Hex. Head Bolt | | 2 | | | | | |
| 27 | Y 02221 00550 | Rubber Seal | | 4 | | | | | |





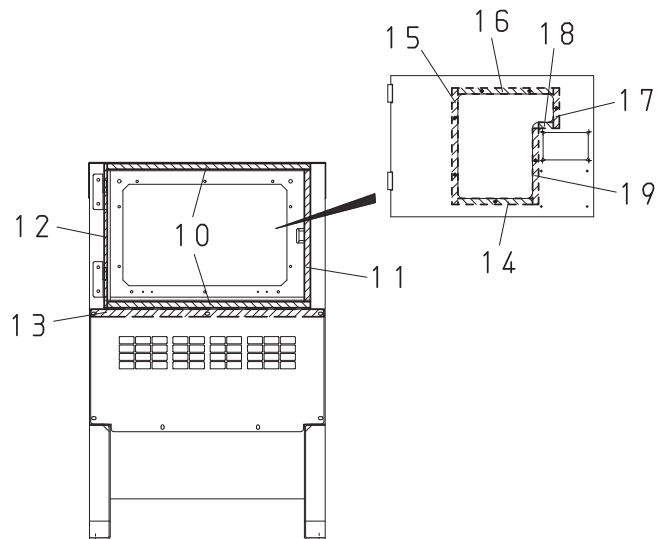
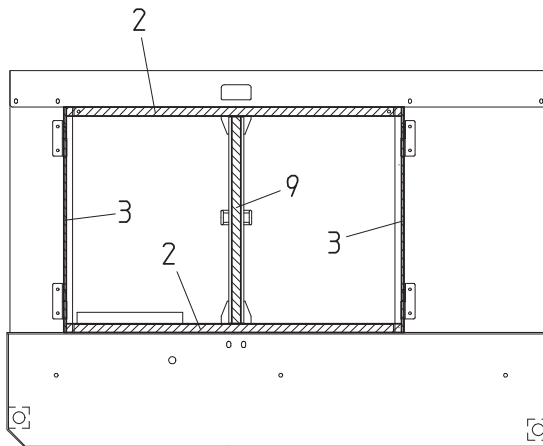
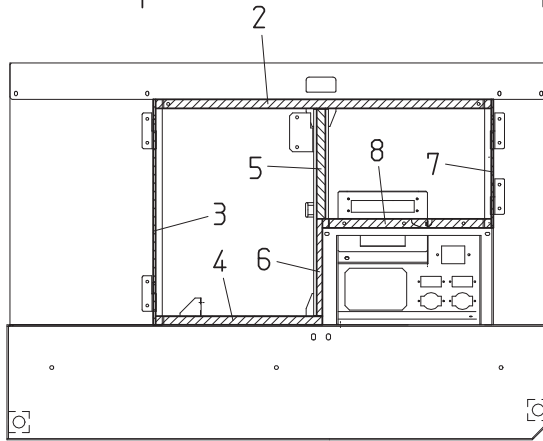
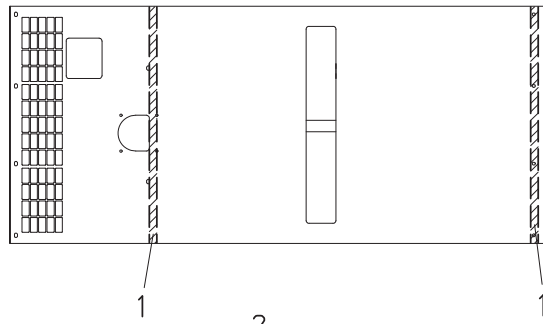
| 見出番号 Key No. | 部品番号 Parts No. | 部品名称 Parts Name | 備考 Remarks | 1台分数Q'ty | | | | 記号 Symbol | 実施号機 Serial No. |
|-----------------|-------------------|-----------------------|---------------|----------|---|---|---|--------------|--------------------|
| | | | | All | A | B | C | | |
| 1 | M 14140 00512 | Base | | 1 | | | | | |
| 2 | M 14151 00202 | Environmental Tank | | 1 | | | | | |
| 3 | Y 00169 10025 | Hex. Head Bolt | | 6 | | | | | |
| 4 | Y 06033 06797 | Square Head Pipe Plug | 1 1/2" | 1 | | | | | |
| 5 | Y 06033 06793 | Square Head Pipe Plug | 1/2" | 1 | | | | | ~7155058 |
| 6 | M 14240 00612 | Front Frame | | 1 | | | | | |
| | M 14941 01703 | Acoustic Sheet | | 1 | | | | | |
| 7 | Y 00169 08020 | Hex. Head Bolt | | 4 | | | | | |
| 8 | M 14242 00903 | Cover, front frame | | 1 | | | | | |
| | M 14941 01804 | Acoustic Sheet | | 1 | | | | | |
| 9 | Y 00192 08020 | Hex. Head Bolt | | 11 | | | | | |
| 10 | Y 06018 50239 | Grommet | C-30-BW-14-2 | 1 | | | | | |
| 11 | M 13112 00004 | Radiator Bracket | | 1 | | | | | |
| 12 | M 13112 00104 | Radiator Bracket | | 1 | | | | | |
| 13 | M 13112 00204 | Radiator Bracket | | 2 | | | | | |
| 14 | Y 00169 08020 | Hex. Head Bolt | | 4 | | | | | |
| 15 | M 13116 00203 | Fan Shroud | | 1 | | | | | |
| 16 | M 13116 00303 | Fan Shroud | | 1 | | | | | |
| 17 | Y 00169 08020 | Hex. Head Bolt | | 6 | | | | | |
| 18 | M 13113 00103 | Fan Guard | | 1 | | | | | |
| 19 | M 13113 00203 | Fan Guard | | 1 | | | | | |

| 見出番号 Key No. | 部品番号 Parts No. | 部品名称 Parts Name | 備考 Remarks | 1台分数Q'ty | | | | 記号 Symbol | 実施号機 Serial No. |
|-----------------|-------------------|---------------------------|---------------|----------|---|---|---|--------------|--------------------|
| | | | | All | A | B | C | | |
| 20 | Y 00169 08020 | Hex. Head Bolt | | 6 | | | | | |
| 21 | M 14340 00003 | Center Frame | | 1 | | | | | ~7152983 |
| | M 14340 00013 | Center Frame | | 1 | | | | | 7152984~ |
| 22 | M 14340 00103 | Center Frame | | 1 | | | | | |
| 23 | Y 00136 12030 | Hex. Head Bolt | | 4 | | | | | |
| | Y 00400 12000 | Spring Washer | | 4 | | | | | |
| | Y 00412 12000 | Plain Washer | | 4 | | | | | |
| 24 | M 14845 00104 | Fuel Leak Switch Bracket | | 1 | | | | | ~7152983 |
| 25 | Y 00169 06020 | Hex. Head Bolt | | 2 | | | | | ~7152983 |
| 26 | Y 06055 03066 | Fuel Leak Detected Switch | | 1 | | | | | |
| 27 | Y 00136 12030 | Hex. Head Bolt | | 4 | | | | | |
| | Y 00400 12000 | Spring Washer | | 4 | | | | | |
| | Y 00412 12000 | Plain Washer | | 4 | | | | | |
| 28 | M 14440 00202 | Rear Frame | | 1 | | | | | |
| 29 | Y 00169 08020 | Hex. Head Bolt | | 4 | | | | | |
| 30 | M 14443 00103 | Rear Cover | | 1 | | | | | |
| 31 | M 14448 00303 | Duct, rear cover | | 1 | | | | | |
| | M 14943 01103 | Acoustic Sheet | | 1 | | | | | |
| 32 | Y 02070 06000 | Self-Locking Nut | | 5 | | | | | |
| 33 | Y 00192 08020 | Hex. Head Bolt | | 7 | | | | | |
| 34 | M 14442 00103 | Rear Door | | 1 | | | | | |

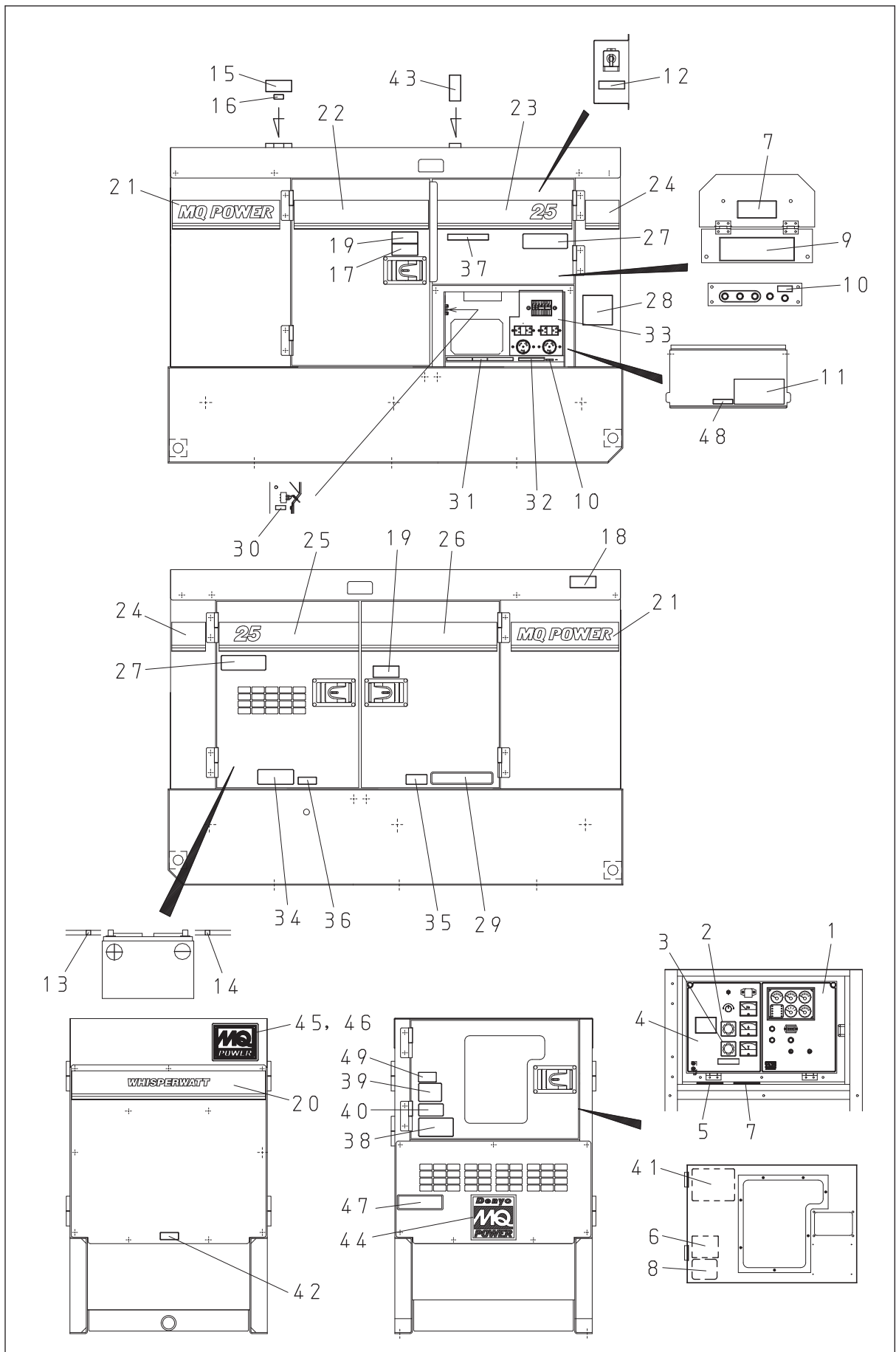
| 見出番号 Key No. | 部品番号 Parts No. | 部品名称 Parts Name | 備考 Remarks | 1台分数Q'ty | | | | 記号 Symbol | 実施号機 Serial No. |
|-----------------|-------------------|--------------------|---------------|----------|---|---|---|--------------|--------------------|
| | | | | All | A | B | C | | |
| 35 | M 14446 00104 | Window Plate | | 1 | | | | | |
| 36 | Y 00379 06000 | Lock Nut | | 7 | | | | | |
| | Y 00412 06000 | Plain Washer | | 7 | | | | | |
| 37 | Y 06050 12309 | Door Handle Ass'y | | 1 | | | | | |
| | C 93125 00004 | Seal Rubber | | 1 | | | | | |
| 38 | Y 02070 06000 | Self-Locking Nut | | 4 | | | | | |
| 39 | M 91101 00204 | Hinge | | 2 | | | | | |
| | M 91161 00004 | Washer | | 2 | | | | | |
| 40 | Y 00192 08020 | Hex. Head Bolt | | 3 | | | | | |
| 41 | M 93100 00004 | Blind Plug | | 2 | | | | | |
| 42 | M 14640 00102 | Roof Panel | | 1 | | | | | |
| | M 14945 00703 | Acoustic Sheet | | 1 | | | | | |
| 43 | Y 00192 08020 | Hex. Head Bolt | | 18 | | | | | |
| 44 | M 33106 00004 | Cover | | 1 | | | | | |
| 45 | Y 00192 08020 | Hex. Head Bolt | | 4 | | | | | |
| 46 | M 14542 00302 | Splasher Panel | | 1 | | | | | |
| 47 | Y 00191 08055 | Hex. Head Bolt | | 1 | | | | | |
| | Y 00191 08035 | Hex. Head Bolt | | 1 | | | | | |
| | Y 00423 08000 | Spring Washer | | 2 | | | | | |
| | Y 00424 08000 | Plain Washer | | 2 | | | | | |
| 48 | Y 00169 08020 | Hex. Head Bolt | | 2 | | | | | |

| 見出番号 Key No. | 部品番号 Parts No. | 部品名称 Parts Name | 備考 Remarks | 1台分数Q'ty | | | | 記号 Symbol | 実施号機 Serial No. |
|-----------------|-------------------|--------------------|---------------|----------|---|---|---|--------------|--------------------|
| | | | | All | A | B | C | | |
| 49 | M 14540 00603 | Side Door | | 1 | | | | | |
| | M 14944 00604 | Acoustic Sheet | | 1 | | | | | |
| 50 | M 14540 00703 | Side Door | | 1 | | | | | |
| | M 14944 00704 | Acoustic Sheet | | 1 | | | | | |
| 51 | M 14540 00803 | Side Door | | 1 | | | | | |
| | M 14944 00804 | Acoustic Sheet | | 1 | | | | | |
| 52 | M 14540 00903 | Side Door | | 1 | | | | | |
| | M 14944 00904 | Acoustic Sheet | | 1 | | | | | |
| 53 | M 14543 00204 | Duct | | 1 | | | | | |
| | M 14944 01204 | Acoustic Sheet | | 1 | | | | | |
| 54 | Y 02070 06000 | Self-Locking Nut | | 5 | | | | | |
| 55 | M 14547 00004 | Door Supporter | | 1 | | | | | |
| | Y 02292 00400 | Rubber Seal | | 1 | | | | | |
| 56 | Y 02070 06000 | Self-Locking Nut | | 3 | | | | | |
| 57 | Y 06050 12309 | Door Handle Ass'y | | 3 | | | | | |
| | C 93125 00004 | Seal Rubber | | 3 | | | | | |
| 58 | Y 02070 06000 | Self-Locking Nut | | 12 | | | | | |
| 59 | M 91101 00204 | Hinge | | 4 | | | | | |
| | M 91161 00004 | Washer | | 4 | | | | | |
| 60 | M 91101 00304 | Hinge | | 4 | | | | | |
| | M 91161 00004 | Washer | | 4 | | | | | |

| 見出番号 Key No. | 部品番号 Parts No. | 部品名称 Parts Name | 備考 Remarks | 1台分数Q'ty | | | | 記号 Symbol | 実施号機 Serial No. |
|-----------------|-------------------|---------------------|---------------|----------|---|---|---|--------------|--------------------|
| | | | | All | A | B | C | | |
| 61 | Y 00192 08020 | Hex. Head Bolt | | 9 | | | | | |
| 62 | M 93100 00004 | Blind Plug | | 8 | | | | | |
| 63 | Y 06018 50097 | Door Stopper | | 8 | | | | | |
| 64 | Y 00272 08025 | Machine Screw | | 8 | | | | | |
| 65 | Y 06008 00321 | Manual Pak | 9000-14 | 1 | | | | | |
| 66 | M 14836 00804 | Clamper, manual-pak | | 2 | | | | | |
| 67 | Y 00169 06015 | Hex. Head Bolt | | 4 | | | | | |
| 68 | Y 00169 08020 | Hex. Head Bolt | | 4 | | | | | |
| 69 | M 24148 00304 | Hole Cover (Base) | | 1 | | | | | 7155359~ |
| 70 | Y 00169 08020 | Hex. Head Bolt | | 2 | | | | | 7155359~ |



| Key No. | Parts No. | Parts Name | Remarks | Q'ty | | | | Symbol | Serial No. |
|---------|---------------|-------------|---------|------|---|---|---|--------|------------|
| | | | | All | A | B | C | | |
| 1 | Y 02292 00790 | Rubber Seal | | 2 | | | | | |
| 2 | Y 02289 01125 | Rubber Seal | | 3 | | | | | |
| 3 | Y 02294 00755 | Rubber Seal | | 3 | | | | | |
| 4 | Y 02289 00560 | Rubber Seal | | 1 | | | | | |
| 5 | Y 02289 00370 | Rubber Seal | | 1 | | | | | |
| 6 | Y 02288 00325 | Rubber Seal | | 1 | | | | | |
| 7 | Y 02294 00430 | Rubber Seal | | 1 | | | | | |
| 8 | Y 02289 00565 | Rubber Seal | | 1 | | | | | |
| 9 | Y 02289 00695 | Rubber Seal | | 1 | | | | | |
| 10 | Y 02288 00680 | Rubber Seal | | 2 | | | | | |
| 11 | Y 02288 00440 | Rubber Seal | | 1 | | | | | |
| 12 | Y 02288 00480 | Rubber Seal | | 1 | | | | | |
| 13 | Y 02292 00780 | Rubber Seal | | 1 | | | | | |
| 14 | Y 02281 00250 | Rubber Seal | | 1 | | | | | |
| 15 | Y 02281 00390 | Rubber Seal | | 1 | | | | | |
| 16 | Y 02281 00320 | Rubber Seal | | 1 | | | | | |
| 17 | Y 02281 00135 | Rubber Seal | | 1 | | | | | |
| 18 | Y 02281 00050 | Rubber Seal | | 1 | | | | | |
| 19 | Y 02281 00255 | Rubber Seal | | 1 | | | | | |



| Key No. | Parts No. | Parts Name | Remarks | Q'ty | | | | Symbol | Serial No. |
|---------|---------------|----------------------------------|-------------|------|---|---|---|--------|------------|
| | | | | All | A | B | C | | |
| 1 | M 15510 00103 | Decal;Engine Operating | M1510 0010 | 1 | | | | | |
| 2 | M 95200 00104 | Decal;Ammeter Change-Over Sw. | M9200 0010 | 1 | | | | | |
| 3 | M 95200 00204 | Decal;Voltmeter Change-Over Sw. | M9200 0020 | 1 | | | | | |
| 4 | M 15510 00003 | Decal;Generator Control | M1510 0000 | 1 | | | | | |
| 5 | M 95201 00704 | Decal;Warning Arc Flash | M9201 0070 | 1 | | | | | |
| 6 | M 95201 00304 | Decal;General Cautions | M9201 0030 | 1 | | | | | |
| 7 | M 95201 00004 | Decal;Warning Electrical Shock | M9201 0000 | 2 | | | | | |
| 8 | M 95202 00404 | Decal;O.C.R. Reset | M9202 0040 | 1 | | | | | |
| 9 | M 95202 00003 | Decal;Connection of Output Cable | M9202 0000 | 1 | | | | | |
| 10 | M 95200 00004 | Decal;Grounding | M9200 0000 | 2 | | | | | |
| 11 | M 95201 00404 | Decal;Danger High Voltage | M9201 0040 | 1 | | | | | |
| 12 | M 95201 00204 | Decal;Caution Change-Over Sw. | M9201 0020A | 1 | | | | | |
| 13 | M 95003 00104 | Decal;+ | M9003 0010 | 1 | | | | | |
| 14 | M 95003 00004 | Decal;- | M9003 0000 | 1 | | | | | |
| 15 | M 95031 00004 | Decal;Warning Radiator Cap | M9031 0000 | 1 | | | | | |
| 16 | M 95001 00004 | Decal;Water | M9001 0000 | 1 | | | | | |
| 17 | M 95101 00004 | Decal;Caution High Temp. | M9101 0000 | 1 | | | | | |
| 18 | M 95032 00004 | Decal; Warning Exhaust Gas | M9032 0000 | 1 | | | | | |
| 19 | M 95030 00004 | Decal;Warning Rotating Part | M9030 0000 | 2 | | | | | |
| 20 | M 15611 00703 | Stripe | | 1 | | | | | |
| 21 | M 15601 01604 | Stripe | | 2 | | | | | |

| Key No. | Parts No. | Parts Name | Remarks | Q'ty | | | | Symbol | Serial No. |
|---------|---------------|---------------------------------|------------|------|---|---|---|--------|------------|
| | | | | All | A | B | C | | |
| 22 | M 15611 00804 | Stripe | | 1 | | | | | |
| 23 | M 15611 00903 | Stripe | | 1 | | | | | |
| 24 | M 15611 01004 | Stripe | | 2 | | | | | |
| 25 | M 15611 01803 | Stripe | | 1 | | | | | |
| 26 | M 15611 01904 | Stripe | | 1 | | | | | |
| 27 | M 95201 00603 | Decal:Warning Auto Start | M9201 0060 | 2 | | | | | |
| 28 | M 15510 00404 | Decal:Note Load Sharing | M1510 0040 | 1 | | | | | |
| 29 | M 95030 00103 | Decal:Daily Check Water and Oil | M9030 0010 | 1 | | | | | |
| 30 | M 95200 00504 | Decal:Start Contact | M9200 0050 | 1 | | | | | |
| 31 | M 95201 00503 | Decal: Warning | M9201 0050 | 1 | | | | | |
| 32 | M 95111 00104 | Decal:Note Receptacle | M9111 0010 | 1 | | | | | |
| 33 | M 15510 01003 | Decal:Auxiliary Output | M1510 0100 | 1 | | | | | |
| 34 | M 95101 00403 | Decal:Warning Battery Connect | M9101 0040 | 1 | | | | | |
| 35 | M 95015 00004 | Decal: Diesel Fuel | M9015 0000 | 1 | | | | | |
| 36 | M 95000 00004 | Decal:Oil Drain | M9000 0000 | 1 | | | | | |
| 37 | M 95100 00104 | Decal:Document Box Located | M9100 0010 | 1 | | | | | |
| 38 | M 95111 00004 | Decal:Warning Environmental | M9111 0000 | 1 | | | | | |
| 39 | M 95032 00104 | Decal:Danger EX. Gas(Indoor) | M9032 0010 | 1 | | | | | |
| 40 | M 95042 00004 | Decal: Warning Start Fires | M9042 0000 | 1 | | | | | |
| 41 | M 25500 02303 | Operating Precautions | M2500 0230 | 1 | | | | | |
| 42 | M 95100 00004 | Decal:Fluid Drain | M9100 0000 | 1 | | | | | |

| Key No. | Parts No. | Parts Name | Remarks | Q'ty | | | | Symbol | Serial No. |
|---------|---------------|------------------------------|------------|------|---|---|---|----------|------------|
| | | | | All | A | B | C | | |
| 43 | M 15500 01404 | Caution:Lifting Capacity | M1500 0140 | 1 | | | | | |
| 44 | M 95112 00204 | Sticker, MQ | M9112 0020 | 1 | | | | | |
| 45 | Y 06005 00092 | Emblem | | 1 | | | | | |
| 46 | Y 00211 06015 | Machine Screw | | 4 | | | | | |
| 47 | M 95112 00103 | TIER 4F | M9112 0010 | 1 | | | | | |
| 48 | M 95212 00604 | Bonded Neutral | M9212 0060 | 1 | | | | 7151824~ | |
| 49 | M 95042 00104 | Decal:Warning Proposition 65 | M9042 0010 | 1 | | | | 7155519~ | |

MANUFACTURED FOR MULTIQIP INC.
by DENYO MANUFACTURING CORP.



MULTIQIP INC.
18910 Wilmington Avenue Carson, CA 90746
Tel: 310-537-3700,
Tel: 800-421-1244
Fax: 310-632-3927