

4JJ1XYGD01



PARTS LIST NO. M28703 00604C

Oil - 8980188580

Air - 0602046365

main Fuel - 8981430410

Pre Fuel - 8980742880

Fuel Pump
Elem - 898071400

DCA - 70SS1U2

PARTS LIST

Thermostat - 8980170271

" Gasket - 8981145870

Water Pump w/Gasket - 8980476892

Oil Pressure Sensor - 8980274560

Overheat Switch - 8971256001
(water outlet pipe)

Starter - 8980844070

Alternator - 8980762600

Temp sensor - 8121468300

Denyo Manufacturing Corp.

SERIAL No. 7350981~

HOW TO USE THE PARTS LIST

1. This parts list covers the parts for Engine-Driven AC Generator Model DCA-70SSIU2.
2. When placing orders, specify the following details:
 - 1) Model Number and Serial Number.
 - 2) Parts Number and Parts Name.
 - 3) Quantity required.
3. The parts listed with a serial number are new parts.
Please place an order with us after confirmation of serial number for machine at your side.
4. The sequence of this parts list is by machine structure. Each group of parts has an illustration on the first page of the parts list. Parts can be identified on the parts list, using the key number on the illustration. These key number, on the illustration, are also shown on the left-hand column in the parts list.
5. The parts number are shown as 10 digits and alphabet. The parts number of the parts makers are shown in the remark column.
6. The parts marked with an asterisk and the parts not listed are not available as a single part, and orders must be placed for them as an assembly.
7. This parts list uses the following abbreviations and symbols:

All	:Some parts differ from unit to unit	p.	:Page
Ass'y	:Assembly	Re.	:Rear
Fr.	:Front	R. H.	:Right
L. H.	:Left	STD	:Standard
No.	:Number	→	:Indication of the page where the modified or additional parts are listed.
O. P.	:Optional Parts		

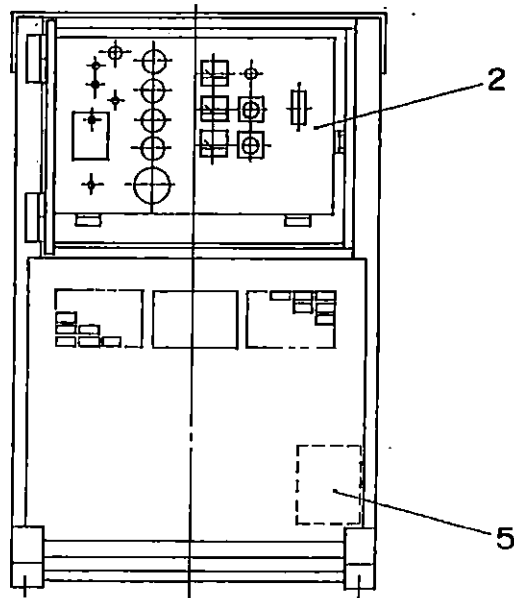
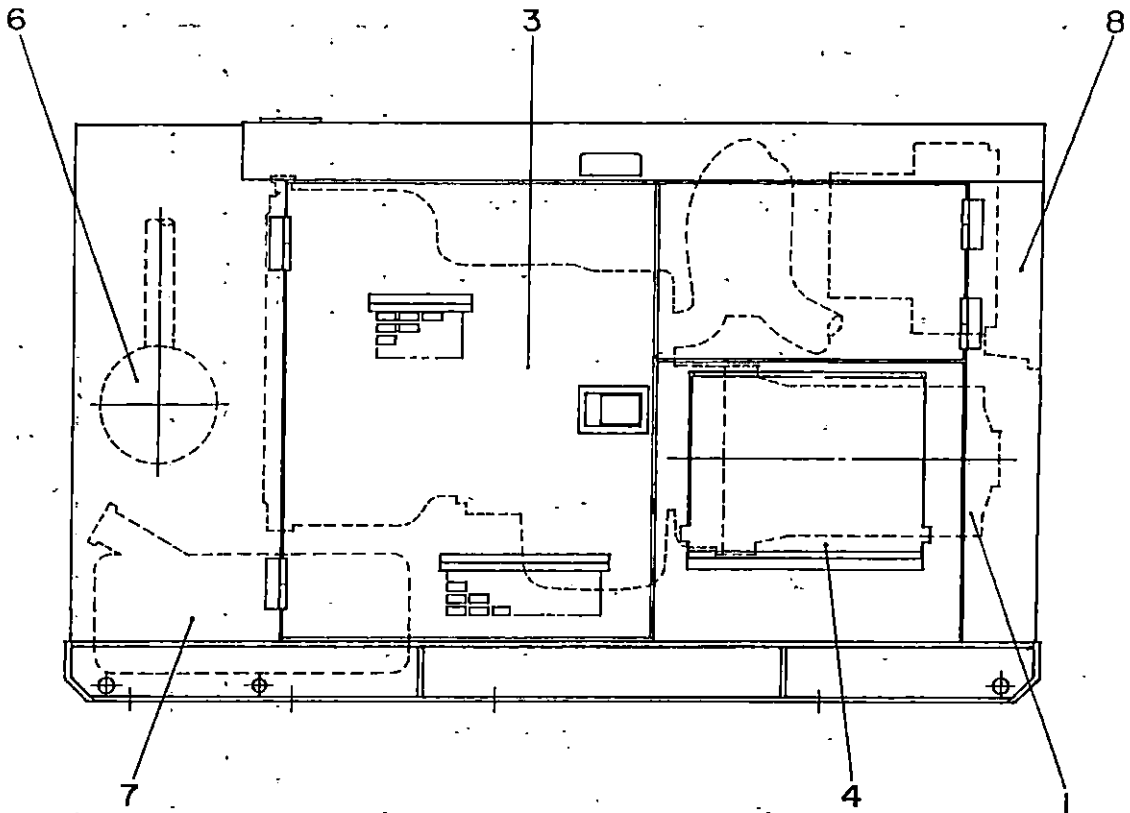
Each symbol [A] [B] [C] listed in a part of Q'ty shows the appropriate parts number for the unit you purchased. The meaning of the symbol [A] [B] [C] is listed on the first top place of each assembly group.

Please check the specification of the unit such as frequency, voltage, model No. etc. before placing orders.

8. Left (L.H.) and Right (R.H.) used in this parts list show the direction when you look at the engine from the generator side.
9. For the engine parts not listed in this parts list, refer to "ISUZU Motors Ltd. 4JJ1X Diesel Engine Parts Catalogue."

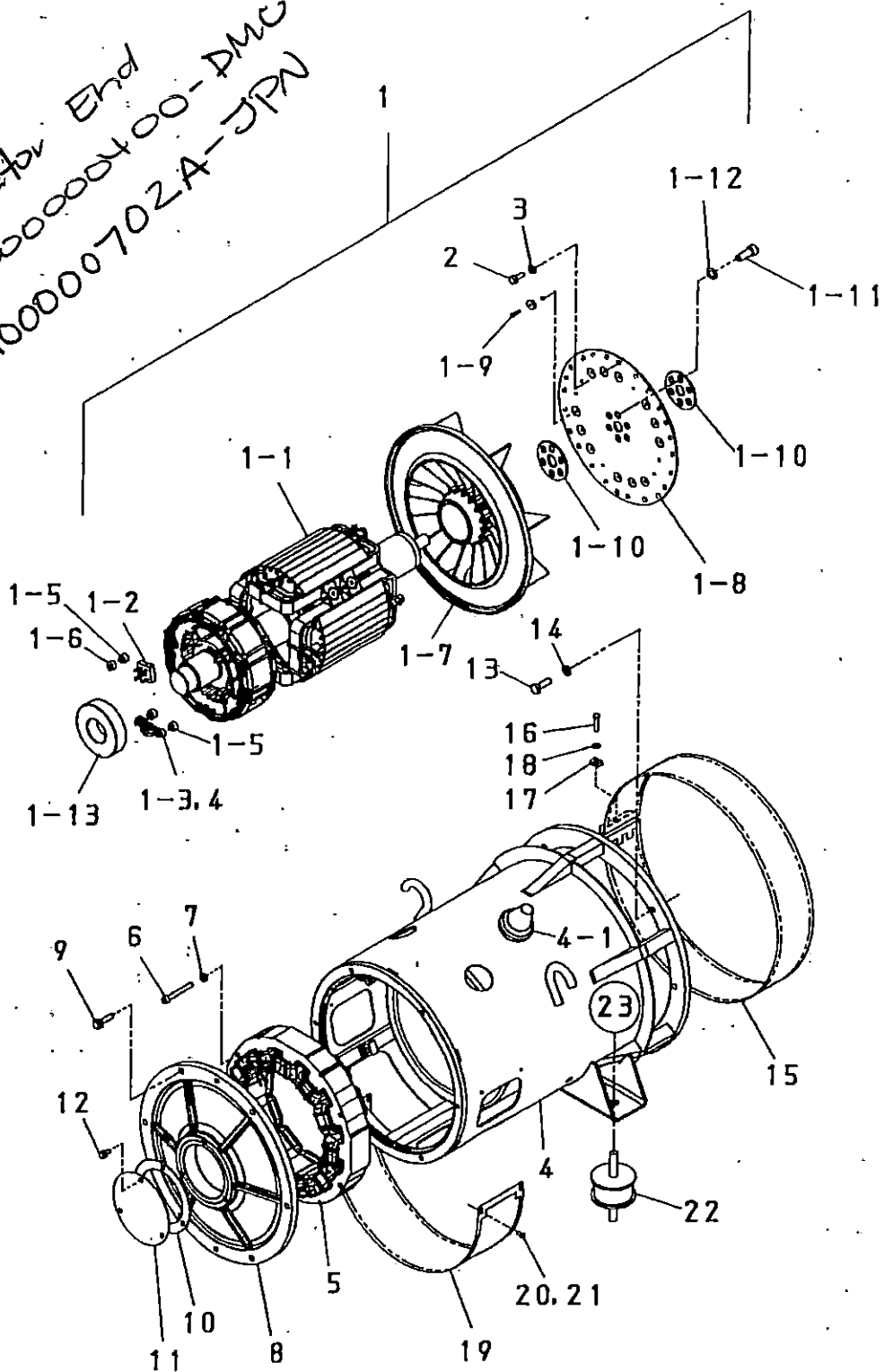
INDEX

Name	Page
Engine-Driven AC Generator Set	1-1
Generator Ass'y	2-1
Control Box Ass'y	3-1
Engine & Radiator Ass'y	4-1
Output Terminal Ass'y	5-1
Battery Ass'y	6-1
Muffler Ass'y	7-1
Fuel Tank Ass'y	8-1
Bonnet Ass'y(Part 1).....	9-1
Bonnet Ass'y(Part 2).....	10-1
Name Plate Ass'y	11-1



Key No.	Parts No.	Parts Name	Remarks	Q'ty				Symbol	Serial No.
				All	A	B	C		
1		Generator Ass'y	Refer to p. 2-1						
2		Control Box Ass'y	Refer to p. 3-1					~7351605	
		Control Box Ass'y	Refer to p. 3-1-1					7351606~	
3		Engine & Radiator Ass'y	Refer to p. 4-1						
4		Output Terminal Ass'y	Refer to p. 5-1					~7351605	
		Output Terminal Ass'y	Refer to p. 5-1-1					7351606~	
5		Battery Ass'y	Refer to p. 6-1						
6		Muffler Ass'y	Refer to p. 7-1						
7		Fuel Tank Ass'y	Refer to p. 8-1						
8		Bonnet Ass'y (Part 1)	Refer to p. 9-1						
		Bonnet Ass'y (Part 2)	Refer to p. 10-1						
		Name Plate Ass'y	Refer to p. 11-1					7350981 ~7351330	
		Name Plate Ass'y	Refer to p. 11-1-1					7351331 ~7351605	
		Name Plate Ass'y	Refer to p. 11-1-2					7351606~	

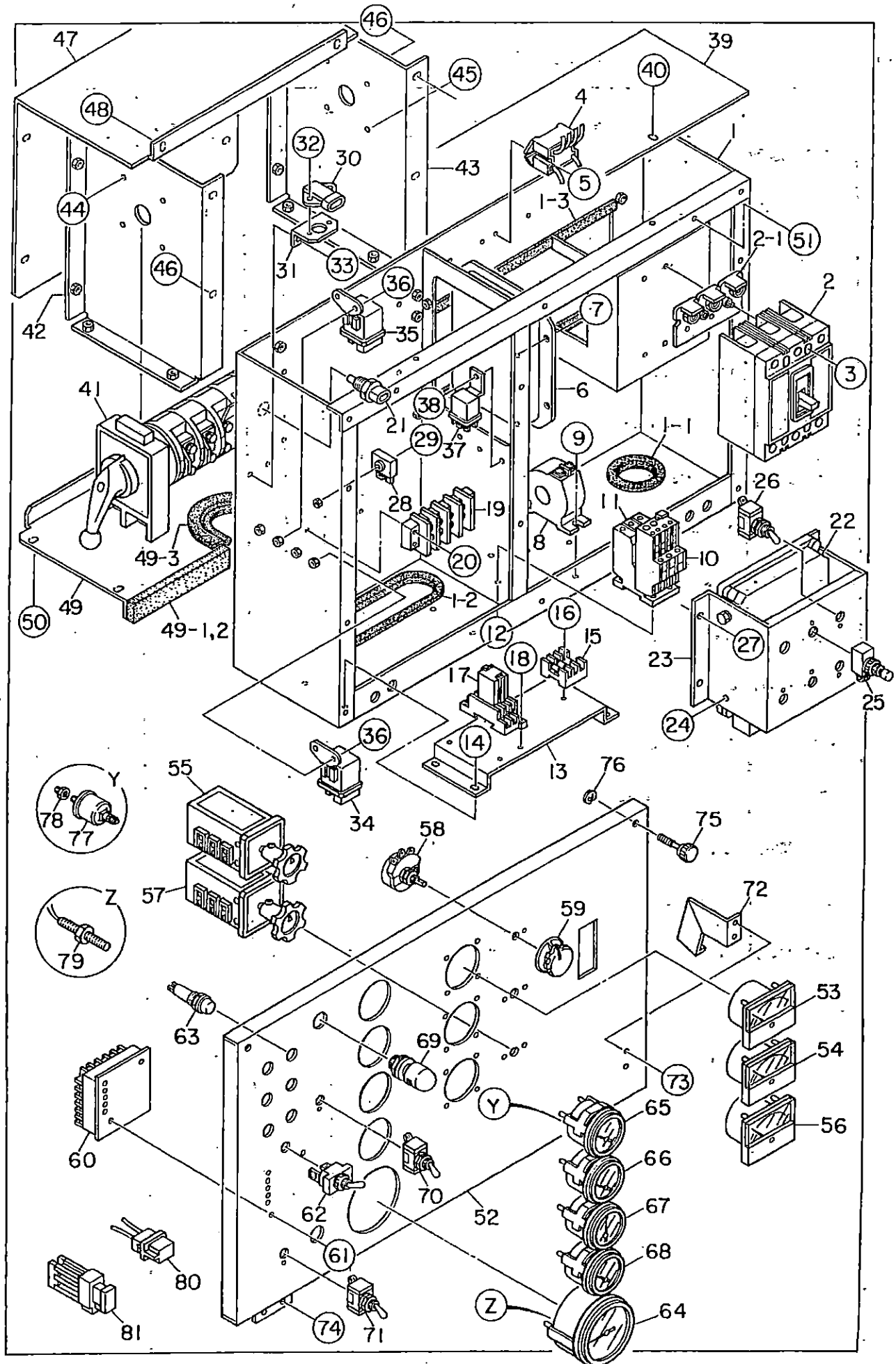
Generator End
M200000400-DMC
BS100000702A-JPN

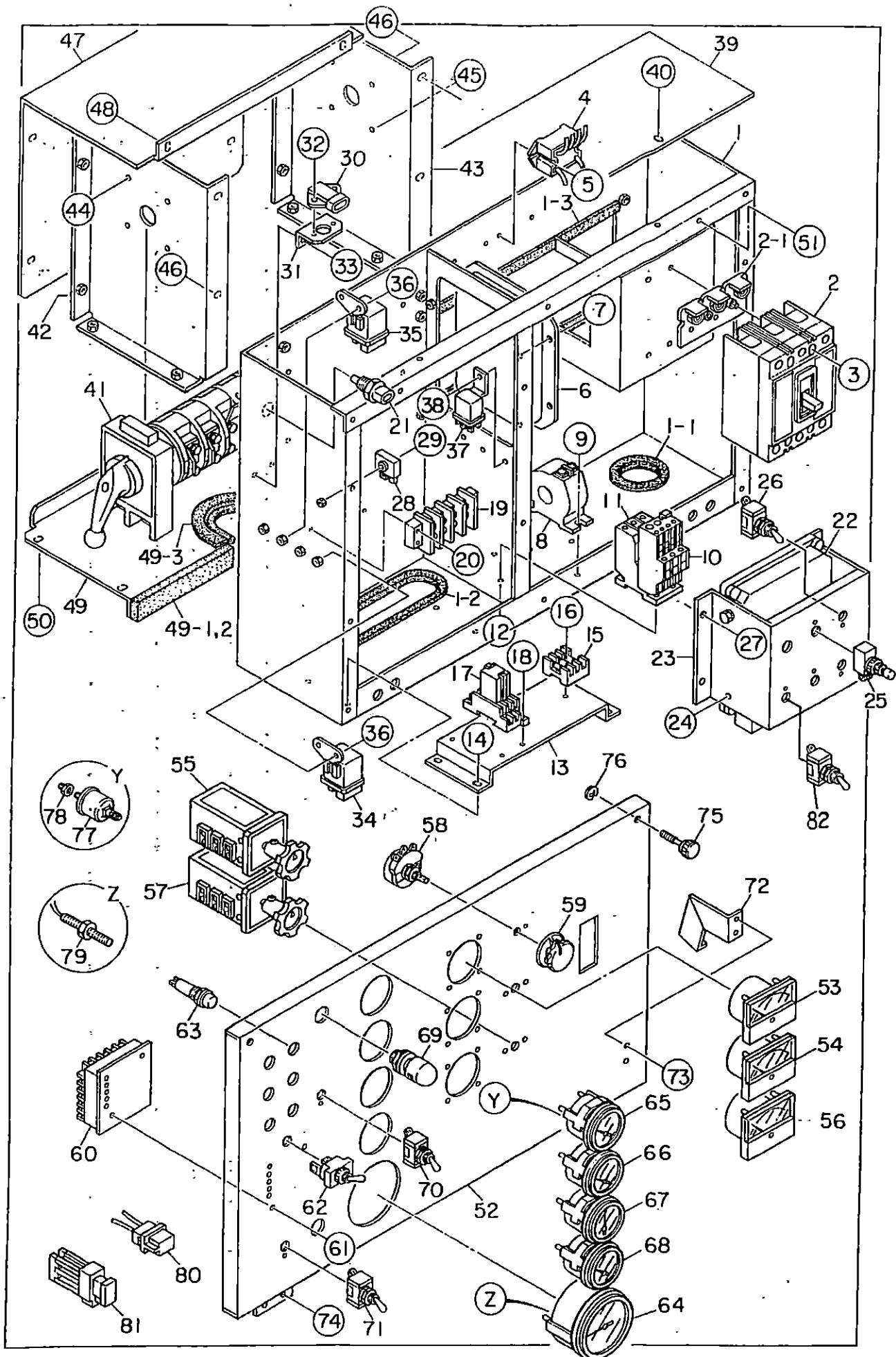


Generator Ass'y

Key No.	Parts No.	Parts Name	Remarks	Q'ty				Symbol	Serial No.
				All	A	B	C		
1	B 51100 00402	Rotor Ass'y		1					
*1- 1		Field Ass'y		(1)					
1- 2	06018 20083	Rectifier		(3)				Re	
1- 3	06018 22664	ZNR		(1)					
1- 4	B 31201 00804	Holder, ZNR		(1)					
1- 5	B 31201 00604	Insulator Washer		(3)					
1- 6	B 31201 00704	Insulator Washer		(5)					
1- 7	B 31111 00603	Fan		(1)					
1- 8	B 21631 00004	Coupling Disk	Please purchase a set of 1-9 at the same time.	(3)					
1- 9	00103 04016	Hex. Head Bolt							
	B 21637 00004	Balancing Weight							
	02040 04000	U Nut							
1-10	B 31632 00104	Coupling Washer		(2)					
1-11	03426 12030	Hex. Socket Head Cap Screw		(6)					
1-12	00465 12000	Plain Washer		(6)					
1-13	00719 06309	Bearing		(1)					
2	00103 10020	Hex. Head Bolt		8					
3	00425 10000	Spring Washer		8					
4	B 51300 00303	Stator Ass'y		1					
4- 1	08450 41904	Grommet		2					
5	B 31370 00803	Field Ass'y, exciter		1					
6	00160 08060	Hex. Socket Head Cap Screw		4					

Key No.	Parts No.	Parts Name	Remarks	Q'ty				Symbol	Serial No.
				All	A	B	C		
7	00425 08000	Spring Washer		4					
8	B 31530 00513	End Bracket		1					
9	00171 08035	Hex. Head Bolt		6					
10	B 31534 00504	Packing		1					
11	B 31534 00404	Cover, bearing		1					
12	00171 06016	Hex. Head Bolt		3					
13	00103 10025	Hex. Head Bolt		12					
14	00425 10000	Spring Washer		12					
15	B 51313 00004	Cover, end bracket		1					
16	03404 06040	Hex. Head Bolt		1					
17	06008 15000	Nut	USN-6001	1					
18	00412 06000	Plain Washer		1					
19	B 31313 00804	Cover, end bracket		1					
20	00292 05012	Machine Screw		4					
21	00412 05000	Plain Washer		4					
22	06050 00413	Rubber Suspension	KA-80	2					
23	00300 12000	Hex. Nut		2					
	00400 12000	Spring Washer		2					
	00412 12000	Plain Washer		2					





Key No.	Parts No.	Parts Name	Remarks	Q'ty				Symbol	Serial No.
				All	A	B	C		
	M 22467 02504	Wire Harness, generator		1					
	M 23572 02002	Wire Harness, engine		1				~7351605	
	M 23572 02012	Wire Harness, engine		1				7351606~	
	M 23572 01802	Wire Harness, controller		1					
1	M 22130 01602	Control Box		1					
1- 1	03300 00180	Edging		2					
1- 2	03300 00615	Edging		1					
1- 3	03300 00300	Edging		2					
2	06018 70432	Circuit Breaker	FG3175WS02 3P 175A	1				CB1	
2- 1	06018 70490	Cover, Circuit Breaker		2					
3	00210 04040	Machine Screw		4					
4	06018 23863	Relay Unit	MSA9013A	2				RY1, 2	
5	00271 04016	Machine Screw		4					
6	06018 20602	Automatic Voltage Regulator	NTA-5A-2DD	1				AVR	
7	00271 05016	Machine Screw		4					
8	06018 01123	Current Transformer	COC-3 150/5A	3				CT1~3	
9	00271 06020	Machine Screw		6					
10	06018 20847	Over Current Relay	TA25DU4.0	1				OC	
11	06018 20848	Over Current Relay	DB25/25A	1				OC	
12	00271 04016	Machine Screw		2					
	02070 04000	Hex. Nut		2					
13	M 22605 00204	Set Panel, electric parts		1					
14	00169 06016	Hex. Head Bolt		4					
15	06018 02218	Holder, fuse	F-7111 3P	1					

Key No.	Parts No.	Parts Name	Remarks	Q'ty				Symbol	Serial No.
				All	A	B	C		
	06018 06671	Fuse	15A	3				F4, 6, 7	
16	00271 03020	Machine Screw		1					
17	06018 27656	Relay	LY-2D DC12V	2					
	06018 23109	Base	PTF-08A	2					
	06018 24400	Clip	PYC-A1	4					
18	00271 04020	Machine Screw		4					
19	06018 15153	Terminal	603-GP-04	1					
20	00271 04016	Machine Screw		2					
21	06032 10240	Sensor, inlet air temp.	ISUZU 812146-8300	1					
22	06022 02689	Controller	ISUZU 898098-0660	1					
23	M 32605 00604	Bracket		1					
24	00169 06016	Hex. Head Bolt		4					
25	06018 31205	Push Button Switch	SB-221	1					
26	06018 31330	Diagnostic Switch	90-0001	1					
27	00169 06016	Hex. Head Bolt		4					
28	06018 23240	Rectifier	DE45	1				Re1	
29	00271 05020	Machine Screw		1					
30	06021 30220	Sensor, barometric Pressure	ISUZU 897217-7780	1					
31	M 22606 00104	Bracket, sensor		1					
32	00271 05016	Machine Screw		2					
33	00271 05016	Machine Screw		2					
34	06022 02502	Relay, starter	ISUZU 894248-1610	1					
35	06022 02685	Relay, glow plug	ISUZU 897011-9490	1					

Key No.	Parts No.	Parts Name	Remarks	Q'ty				Symbol	Serial No.
				All	A	B	C		
36	00271 05016	Machine Screw		4					
37	06022 01400	Relay	ISUZU 582550-0290	3					
38	00271 05016	Machine Screw		3					
39	M 22135 00704	Control Box Cover		1					
40	00169 06016	Hex. Head Bolt		4					
41	M 22701 00104	Selector Switch	C80-6 USN198	1			SW		
	M 25500 01604	Decal;Selector Switch Number		1					
	M 25500 01704	Decal;Selector Switch Number		1					
42	M 22136 02704	Switch Bracket		1					
43	M 22136 02704	Switch Bracket		1					
44	00210 04040	Machine Screw		4					
	00400 04000	Spring Washer		4					
	00412 04000	Plain Washer		4					
	02070 04000	Hex. Nut		4					
45	00271 04016	Machine Screw		4					
	02070 04000	Hex. Nut		4					
46	00169 06016	Hex. Head Bolt		4					
47	M 22136 02804	Switch Cover		1					
48	00169 06016	Hex. Head Bolt		6					
49	M 22136 02904	Switch Cover		1					
49- 1	02288 00165	Seal Rubber		1					
49- 2	02288 00115	Seal Rubber		1					
49- 3	03177 00180	Seal Rubber		1					

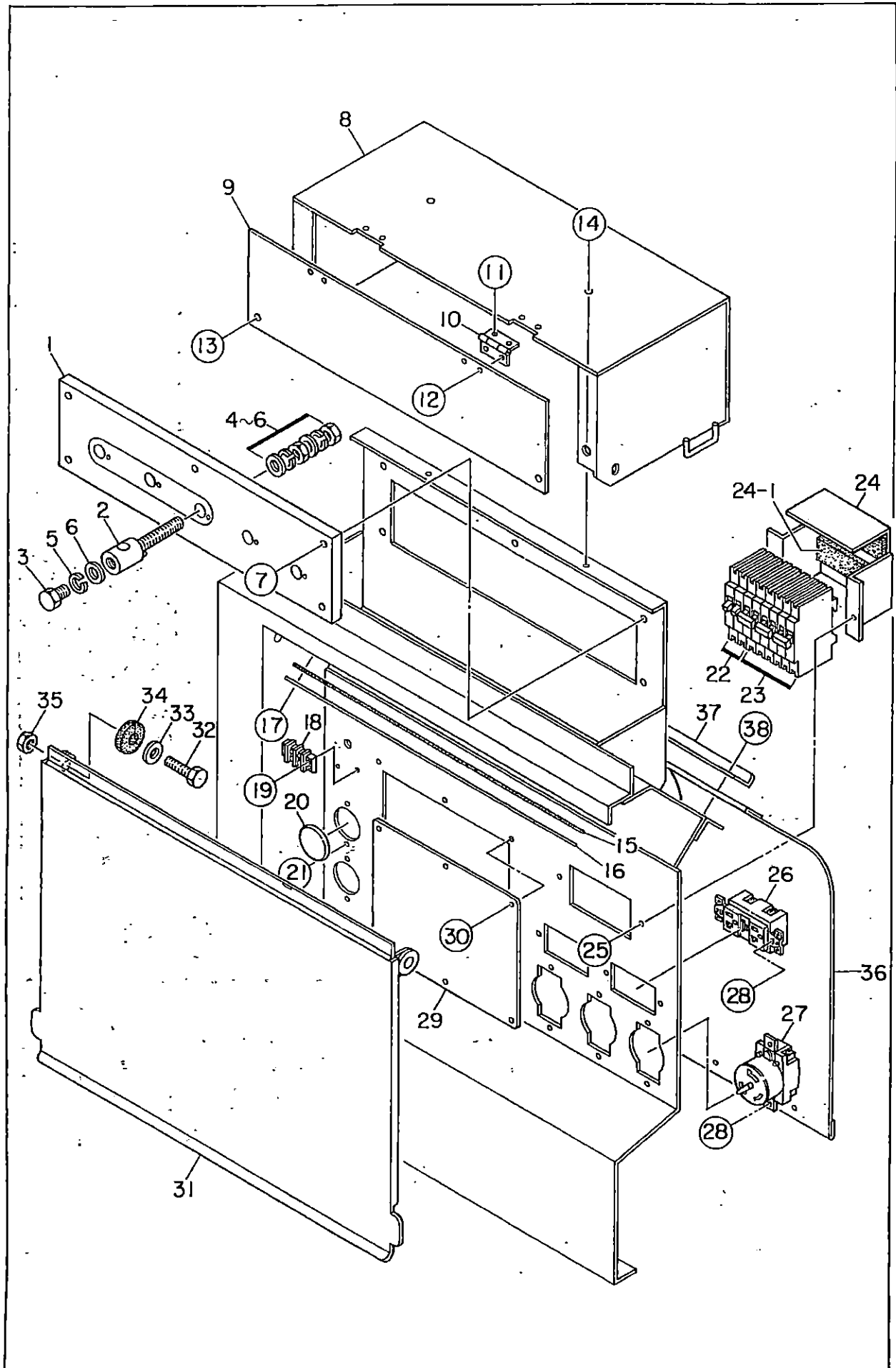
Key No.	Parts No.	Parts Name	Remarks	Q'ty				Symbol	Serial No.
				All	A	B	C		
50	00169 06016	Hex. Head Bolt		4					
51	00169 06016	Hex. Head Bolt		12					
	00405 06000	Toothed Washer		1					
52	M 22230 01103	Control Panel		1					
53	06018 07641	Frequency Meter	FCF-6 45~65Hz 240V	1			F		
54	06018 08987	AC Ammeter	ACF-6 0~150A/300A:5A	1			A		
55	06018 01040	Change-Over Switch, ammeter	SL-2AS	1			AS		
56	06018 06859	AC Voltmeter	SCF-6 0~600V	1			V		
57	06018 01041	Change-Over Switch, voltmeter	SL-2VS	1			VS		
58	06018 40073	Rheostat (Voltage Regulator)	RA20A2SE102BJ 2W 1kΩ	1			VR		
59	06018 40121	Knob	25N	1					
60	06022 02641	Controller	ECU (CAN77)	1					
61	00210 04040	Machine Screw		2					
	02070 04000	Hex. Nut		2					
62	06018 31340	Switch	2GM54-63	1					
63	06021 03092	Alarm Lamp	PL-05	2					
	06018 10245	Bulb	E-10 T-10 DG18V	2					
64	06021 20095	Tachometer	111810	1					
65	06021 22093	Oil Pressure Gauge	100174	1					
66	06021 23090	Water Temperature Gauge	100683	1					
67	06021 21081	Charging Ammeter	100160	1					
68	06021 25090	Fuel Gauge	100176	1					
69	06018 10141	Panel Light	98268-00370	1					

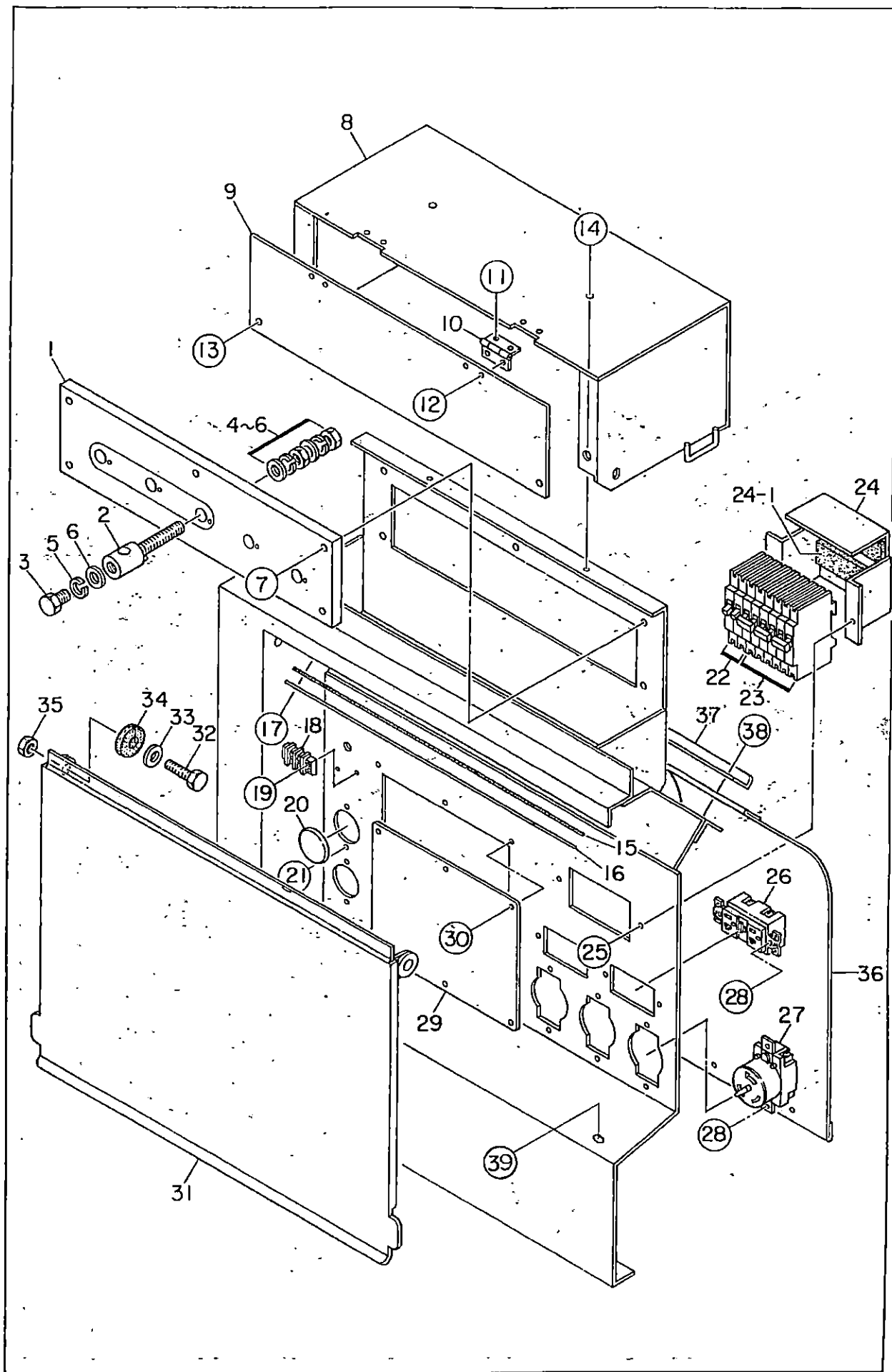
Key No.	Parts No.	Parts Name	Remarks	Q'ty				Symbol	Serial No.
				A11	A	B	C		
70	06018 31330	Switch, panel light	90-0001	1					
71	06018 30710	Switch, engine speed	S301T	1					
72	M 12241 00104	Stopper		1					
73	00271 05010	Machine Screw		2					
74	00271 05010	Machine Screw		4					
75	M 92201 00004	Set Screw		2					
76	00802 00007	Snap Ring	S-7	2					
77	06021 22272	Unit, oil pressure	108497	1					
78	M 92001 00004	Adapter		1					
79	06021 20465	Pick Up, tachometer		1					
80	M 23572 02104	Fuse Holder Unit		1					
	06018 06644	Fuse	30A	1					
81	06018 06640	Fuse	65A	1					
82	06018 30762	Fuel Pump Switch	S-305T	1				7351606~	

Key No.	Parts No.	Parts Name	Remarks	Q'ty				Symbol	Serial No.
				All	A	B	C		
1	M 29232 00144	Engine	ISUZU 4JJ1X	1					
	06020 15256	Fan Belt	ISUZU 897362-9260	(1)					
1- 1	06020 41222	Cartridge, oil filter	ISUZU 898018-8580	(1)					
2	06050 00451	Rubber Suspension		2					
3	M 24138 00104	Coller		2					
4	00300 10000	Hex. Nut		2					
5	00400 10000	Spring Washer		2					
6	00428 05000	Plain Washer		2					
7	M 29232 00074	Radiator	232000-6520	1					
7- 1	06020 11029	Cap. radiator	102600-0620	(1)					
8	00169 08020	Hex. Head Bolt		6					
9	M 92001 00904	Plug		1					
10	01500 00016	O Ring	P-16	1					
11	M 23105 02003	Radiator Hose		1					
12	M 23105 02103	Radiator Hose		1					
13	06055 15147	Hose Band	5032	4					
14	M 29232 00124	Inter Cooler	135000-1160	1					
15	01320 04000	Plug	3/8	1					
16	00105 10020	Hex. Head Bolt		8					
	00400 10000	Spring Washer		8					
	00412 10000	Plain Washer		8					
17	M 23105 01903	Inter Cooler Hose		1					
18	M 23105 01803	Inter Cooler Hose		1					

Key No.	Parts No.	Parts Name	Remarks	Q'ty				Symbol	Serial No.
				All	A	B	C		
19	06055 15208	Hose Band	90588K	3					
20	06055 15207	Hose Band	89591K	1					
21	01936 01000	Drain Hose		1					
22	06020 46582	Air Cleaner	FP6082527	1					
	06020 46365	Element, air cleaner	P82-8889	(1)					
23	06020 40651	Indicator, air cleaner	RBX00-2352	1					
24	06020 40554	Air cleaner Band	P777732	1					
25	00169 08030	Hex. Head Bolt		2					
26	M 23731 01603	Hose, air cleaner		1					
27	M 23261 00304	Blowby Pipe		1					
28	M 23731 01503	Hose, air cleaner		1					
29	M 23731 01403	Hose, air cleaner		1					
30	06055 15199	Hose Band		1					
31	06055 15197	Hose Band	5072	4					
32	02692 00770	Blowby Hose		1					
33	06055 15198	Hose Band	5024	2					
34	M 33262 00204	Blowby Hose Bracket		1					
35	00169 08020	Hex. Head Bolt		1					
36	M 23203 00103	Drain Joint		1					
37	M 92002 00004	Plug		1					
38	01500 00018	O Ring	A P18	1					
39	00169 06020	Hex. Head Bolt		2					
40	01999 01250	Drain Hose		1					

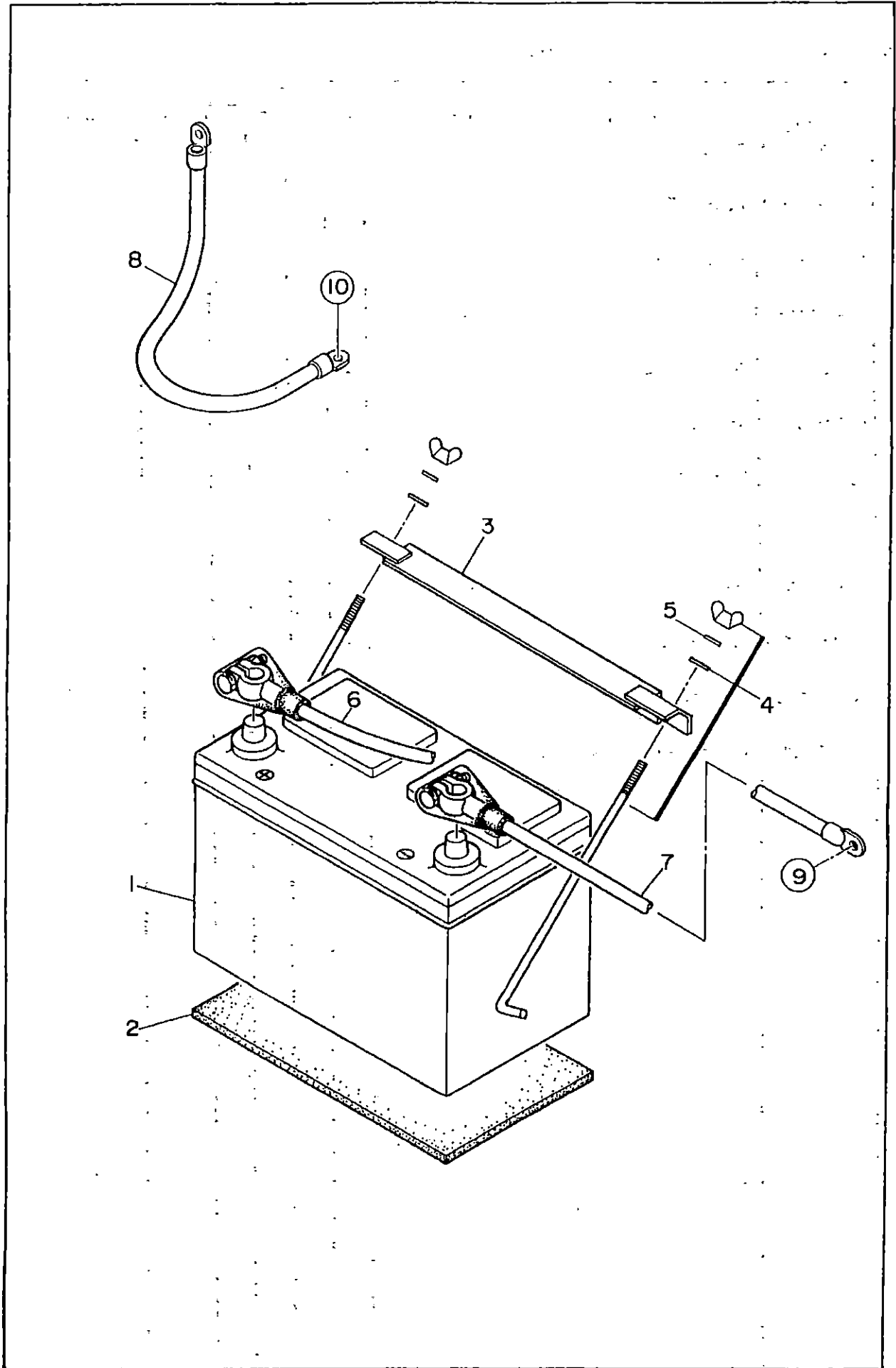
Key No.	Parts No.	Parts Name	Remarks	Q'ty				Symbol	Serial No.
				All	A	B	C		
41	06055 15106	Hose Band	RS-8006	2					
42	06020 22581	Adapter	10-M24 x 2.0 F80X-S	1				~ 7351430	
	06020 22589	Adapter	7400-10-24	1				7351431~	
43	06020 22561	90° Elbow	33982-10-10+	1				~ 7351430	
	06020 22579	90° Elbow	191321-10S	1				7351431~	
44	06033 06590	Connector	10WFTX-S	1				~ 7351430	
	06033 06597	Connector	2706-10-08	1				7351431~	
45	06033 00285	Locknut	10WLN	1				~ 7351430	
	06033 00286	Locknut	306-10	1				7351431~	
46	06055 11395	Valve	XV500P-8	1				~ 7351430	
	06055 11399	Valve	FBV050	1				7351431~	
47	06033 06395	Hose Joint	30182-8-10	1				~ 7351430	
	06033 06399	Hose Joint	PM10-8	1				7351431~	
48	06020 21070	Cap	10FNTX-S	1				~ 7351430	
	06020 21071	Cap	304-C-10	1				7351431~	
49	02692 00500	Drain Hose	836-10	1				~ 7351430	
	03795 00500	Drain Hose	FC332-10	1				7351431~	
50	M 93000 00103	Reserve Tank		1					
51	M 93001 00003	Cap, reserve tank		1					
52	01991 00500	Hose		1					
53	01991 00175	Hose		1					
54	01936 01850	Hose		1					
55	06055 15106	Hose Band	RS-8006	3					
56	M 23161 00304	Bracket, reserve tank		1					
57	00169 08020	Hex. Head Bolt		2					



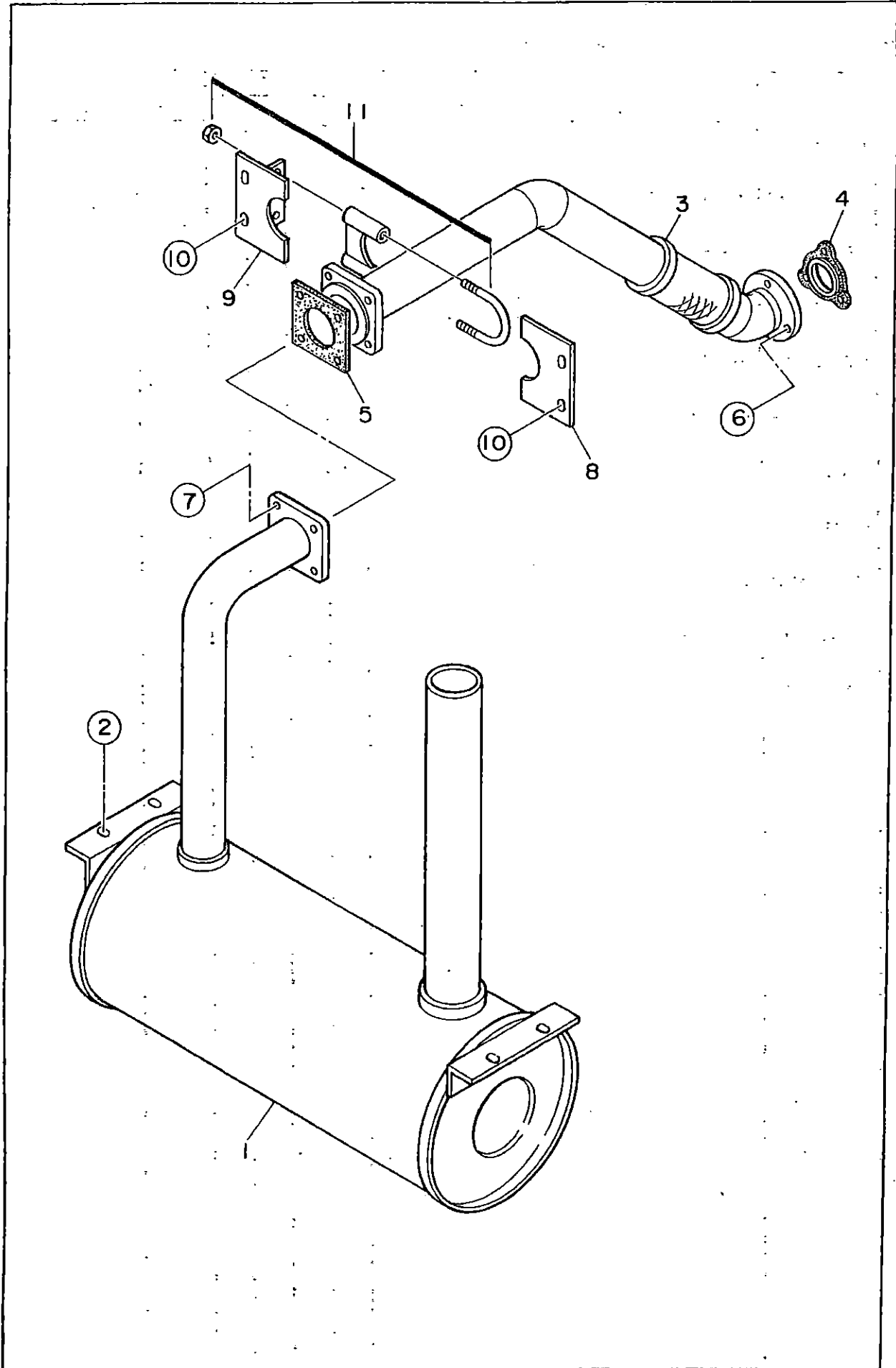


Key No.	Parts No.	Parts Name	Remarks	Q'ty				Symbol	Serial No.
				All	A	B	C		
1	M 32307-00003	Terminal Panel		1					
2	M 92201 00304	Output Terminal Bolt		5					
3	M 92201 00404	Tie Bolt		5					
4	00393 16000	Hex. Nut		10					
5	00400 16000	Spring Washer		15					
6	00414 16000	Plain Washer		20					
7	00169 08035	Hex. Head Bolt		5					
8	M 32361 00703	Terminal Cover		1					
9	M 32361 00104	Output Window		1					
10	06050 10040	Hinge	TH-TM122	2					
11	00271-03010	Machine Screw		4					
	00300 03000	Hex. Nut		4					
	00412 03000	Plain Washer		4					
12	00271-03010	Machine Screw		4					
	00300 03000	Hex. Nut		4					
13	M 92201 00804	Set Screw		2					
	00400 06000	Spring Washer		2					
	00412 06000	Plain Washer		2					
	00802 00005	Retaining Ring		2					
14	00169 06016	Hex. Head Bolt		4					
15	M 32364 00004	Cable Outlet Cover		1					
16	M 32363 00004	Supporter, cable outlet cover		1					
17	00169-06020	Hex. Head Bolt		6					
18	06018 15194	Terminal	601-GP-02	1					
19	00271 04016	Machine Screw		2					
20	06033 06775	Blind Plug		2					

Key No.	Parts No.	Parts Name	Remarks	Q'ty				Symbol	Serial No.
				All	A	B	C		
21	00271-04016	Machine Screw		4					
22	06018 70440	Circuit Breaker	QCF 1020 1P 20A	2			CB5.6		
23	06018 70441	Circuit Breaker	QCF 2050 2P 50A	3			CB2~4		
24	M 12607 00504	Breaker Fitting Cover		1					
24-1	02221 00100	Cushion Rubber		2					
25	00169 06020	Hex. Head Bolt		2					
26	06018 12598	Receptacle	GF530EM 125V 20A×2	2			CON4.5		
27	06018 12538	Receptacle	CS6369 250V 50A	3			CON1~3	~7351430	
	06018.14014	Receptacle	CS6369L 250V 50A	3			CON1~3	7351431~	
28	00271,04016	Machine Screw		10					
	02070 04000	Hex. Nut		10					
29	M 24534 00004	Cover		1					
30	00169 06016	Hex. Head Bolt		6					
31	M 22361 00803	Terminal Cover		1					
32	00101 12045	Hex. Head Bolt		2					
33	00412 12000	Plain Washer		2					
34	M 93102 00004	Stay Rubber		2					
35	00300 12000	Hex. Nut		2					
36	M 42361 00604	Cover		1					
37	M 42364 00304	Bracket		1					
38	00192 06015	Hex. Head Bolt		2					
39	00192 08020	Hex. Head Bolt		1				7351606~	
	00405 08000	Toothed Washer		1				7351606~	

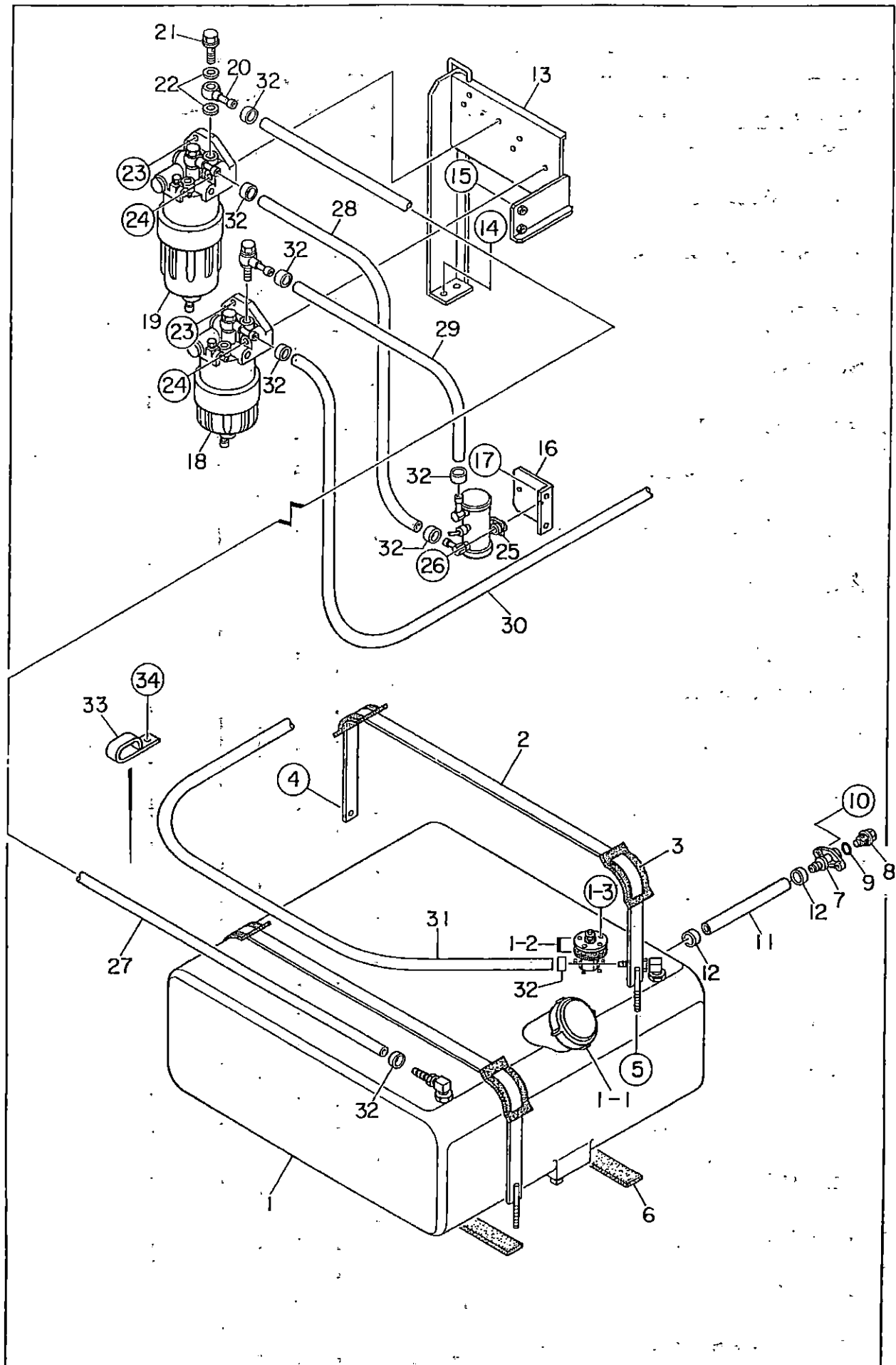


Key No.	Parts No.	Parts Name	Remarks	Q'ty				Symbol	Serial No.
				All	A	B	C		
1	06022 20199	Battery	727MF	1					
2	M 93105 00014	Battery Sheet		1					
3	M 91030 00304	Battery Band		1					
4	06022 20920	Battery Bolt Set	BHL-10J 1/4-L10	2					
5	00400 06000	Spring Washer		2					
6	M 23469 00704	Battery Cable		1					
7	M 23469 00604	Battery Cable		1					
8		Cable		1					
9	00171 12025	Hex. Head Bolt		1					
	00405 12000	Toothed Washer		1					
10	00169 10025	Hex. Head Bolt		1					
	00405 10000	Toothed Washer		1					



Muffler Ass'y

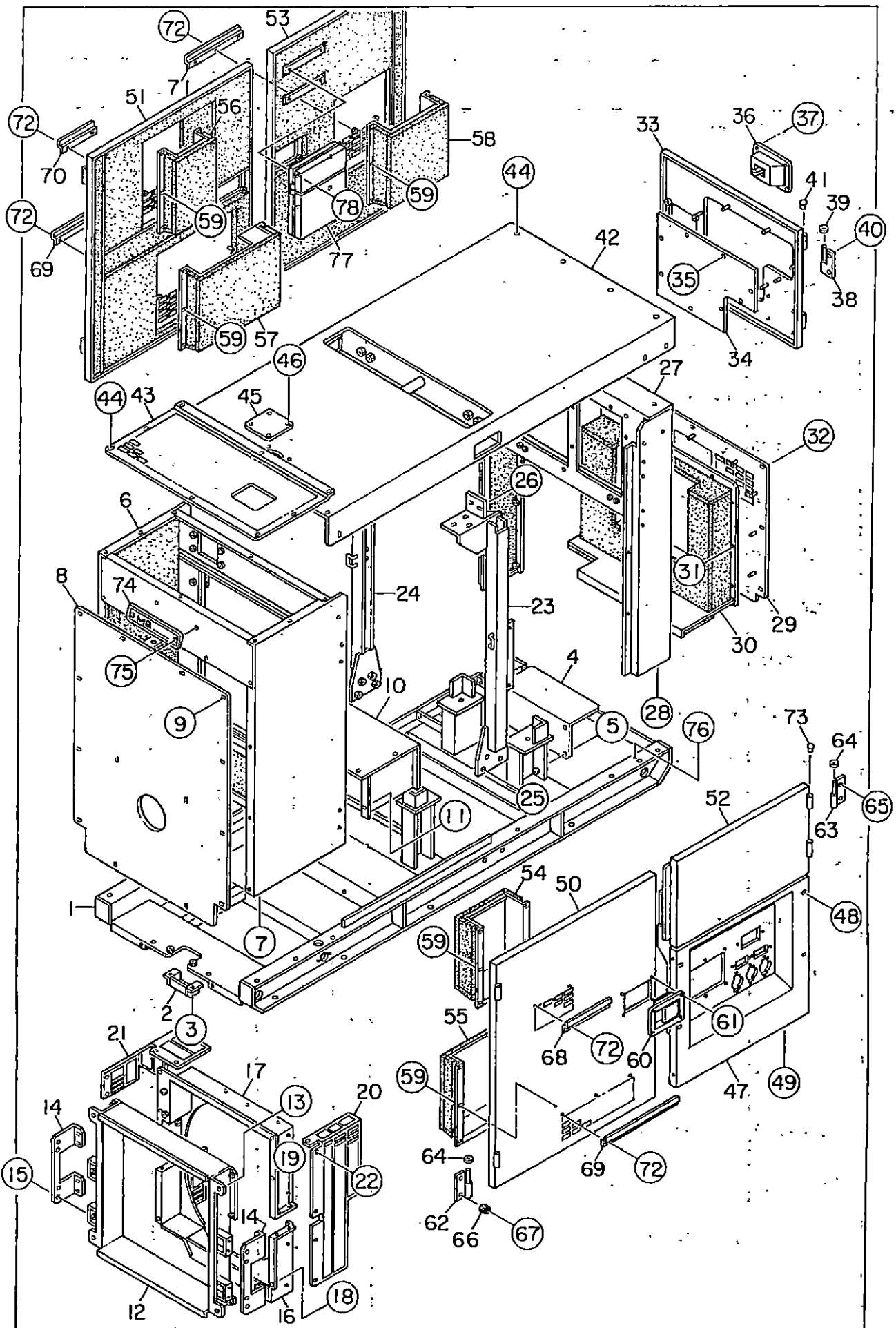
Key No.	Parts No.	Parts Name	Remarks	Q'ty				Symbol	Serial No.
				All	A	B	C		
1	M 23301 01203	Muffler		1					
2	00169 10025	Hex. Head Bolt		4					
3	M 23330 01503	Exhaust Pipe		1					
4	06023 20101	Gasket	ISUZU 894369-0210	1					
5	M 23332 00504	Gasket		1					
6	00393 08000	Hex. Nut		6					
7	00169 08040	Hex. Head Bolt		4					
8	M 23333 00204	Cover, exhaust pipe		1					
9	M 23333 00304	Cover, exhaust pipe		1					
10	00169 08020	Hex. Head Bolt		4					
11	06023 26090	U Bolt	89542K	1					



Key No.	Parts No.	Parts Name	Remarks	Q'ty				Symbol	Serial No.
				All	A	B	C		
1	M 23630 00102	Fuel Tank		1					
1- 1	06055 05070	Cap, fuel tank		(1)					
1- 2	06055 01074	Fuel Sender Unit		(1)					
	06055 16090	Gasket		(1)					
1- 3	00271 04016	Machine Screw		(5)					
2	M 23632 00104	Tank Band		2					
3	M 93105 00104	Supporter Sheet		4					
4	00169 08020	Hex. Head Bolt		2					
5	02073 08000	Hex. Nut		2					
6	02221 00178	Rubber Sheet		4					
7	M 92000 00003	Drain Joint		1					
8	M 92002 00004	Drain Bolt		1					
9	01500 00018	O Ring	AP18	1					
10	00169 06020	Hex. Head Bolt		2					
11	M 13634 00104	Drain Hose		1					
12	06055 15198	Hose Band	5008	2					
13	M 23667 00203	Fuel Filter Breacket		1					
14	00169 10025	Hex. Head Bolt		2					
15	00169 08020	Hex. Head Bolt		2					
16	M 23667 00104	Fuel Pump Bracket		1					
17	00169 08020	Hex. Head Bolt		2					
18	06020 42426	Fuel Filter (Main)	ISUZU 898013-9861	1					
	06020 42515	Element, fuel filter	ISUZU 898008-8400	(1)					

Fuel Tank Ass'y

Key No.	Parts No.	Parts Name	Remarks	Q'ty				Symbol	Serial No.
				All	A	B	C		
19	06020 42405	Fuel Filter (Pre.)	ISUZU 898075-8550	1					
	06020 42516	Element, fuel filter	ISUZU 898075-8540	(1)					
20	06020 42661	Joint Pupe	ISUZU 897383-4270	4					
21	06020 42621	Joint Bolt	ISUZU 109675-0951	4					
22	06020 42641	Packing	ISUZU 109630-0860	8					
23	00153 10045	Hex. Socket Head Cap Screw		4					
	00400 10000	Spring Washer		4					
	00412 10000	Plain Washer		4					
24	00101 10080	Hex. Head Bolt		2					
	00400 10000	Spring Washer		2					
	00412 10000	Plain Washer		2					
25	06020 23240	Fuel Feed Pump	ISUZU 898068-2750	1					
	06020 42517	Fuel Filter	ISUZU 898071-4010	(1)					
26	00169 06025	Hex. Head Bolt		2					
27	01913 01750	Suction Hose		1					
28	01913 00650	Suction Hose		1					
29	01913 00450	Suction Hose		1					
30	01913 01400	Suction Hose		1					
31	01913 02150	Return Hose		1					
32	06055 15109	Hose Band	RS-8010	10					
33	06022 20911	Clamp	RCT-2010	1					
34	00169 08020	Hex. Head Bolt		1					



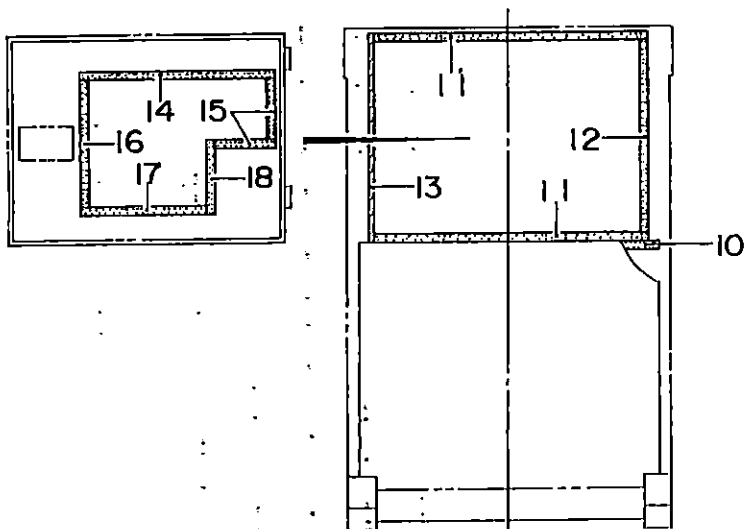
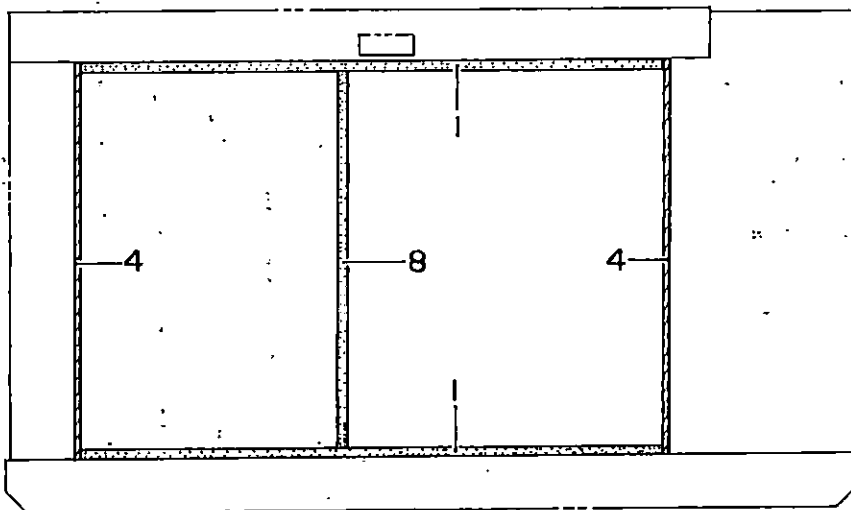
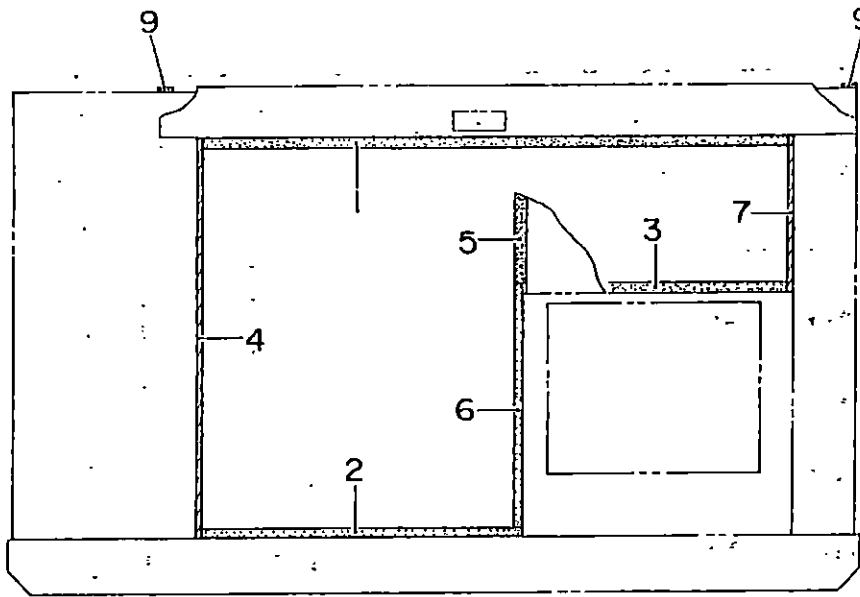
Key No.	Parts No.	Parts Name	Remarks	Q'ty				Symbol	Serial No.
				All	A	B	C		
1	M 24130 02102	Base		1					
	M 24930 00004	Acoustic Sheet		1					
2	M 14134 00004	Under Cover		1					
3	00169 08020	Hex. Head Bolt		2					
4	M 24136 00004	Duct		1					
	M 24930 00104	Acoustic Sheet		1					
5	00169 08020	Hex. Head Bolt		4					
6	M 24230 01902	Front Frame		1					
	M 24931 08703	Acoustic Sheet		1					
	02288 00100	Seal Rubber		4					
7	00169 08020	Hex. Head Bolt		6					
8	M 24232 02504	Cover, front frame		1					
	M 24931 01104	Acoustic Sheet		1					
9	00192 08020	Hex. Head Bolt		14					
10	M 24232 02703	Inner Cover, front frame		1					
11	00169 08020	Hex. Head Bolt		7					
12	M 23102 00603	Supporter, inter cooler		1					
13	00171 10020	Hex. Head Bolt		4					
14	M 23102 00504	Bracket, inter cooler		2					
15	00169 08020	Hex. Head Bolt		8					
16	M 23103 02803	Fan Shroud		1					
17	M 23103 02903	Fan Shroud		1					
18	00169 08020	Hex. Head Bolt		6					

Key No.	Parts No.	Parts Name	Remarks	Q'ty				Symbol	Serial No.
				All	A	B	C		
19	00169 08020	Hex. Head Bolt		4					
20	M 23103 03004	Fan Guard		1					
21	M 23103 03103	Fan Guard		1					
22	00169 08020	Hex. Head Bolt		9					
23	M 24350 00203	Hanger		1					
24	M 24330 01103	Hanger		1					
25	00101 14030	Hex. Head Bolt		8					
	00400 14000	Spring Washer		8					
	00412 14000	Plain Washer		8					
26	00171 12030	Hex. Head Bolt		10					
27	M 24430 01302	Rear Frame		1					
	M 24933 05404	Acoustic Sheet		2					
28	00169 08020	Hex. Head Bolt		4					
29	M 24433 01203	Rear Cover		1					
30	M 24433 01703	Duct, rear cover		1					
	M 24933 05303	Acoustic Sheet		1					
31	02070 06000	Hex. Nut		12					
32	00192 08020	Hex. Head Bolt		9					
33	M 24432 00123	Rear Door		1					
34	M 14436 00204	Window Plate		1					
35	00379 06000	Hex. Nut		8					
	00412 06000	Plain Washer		8					
36	M 91130 00002	Door Handle Ass'y		1					

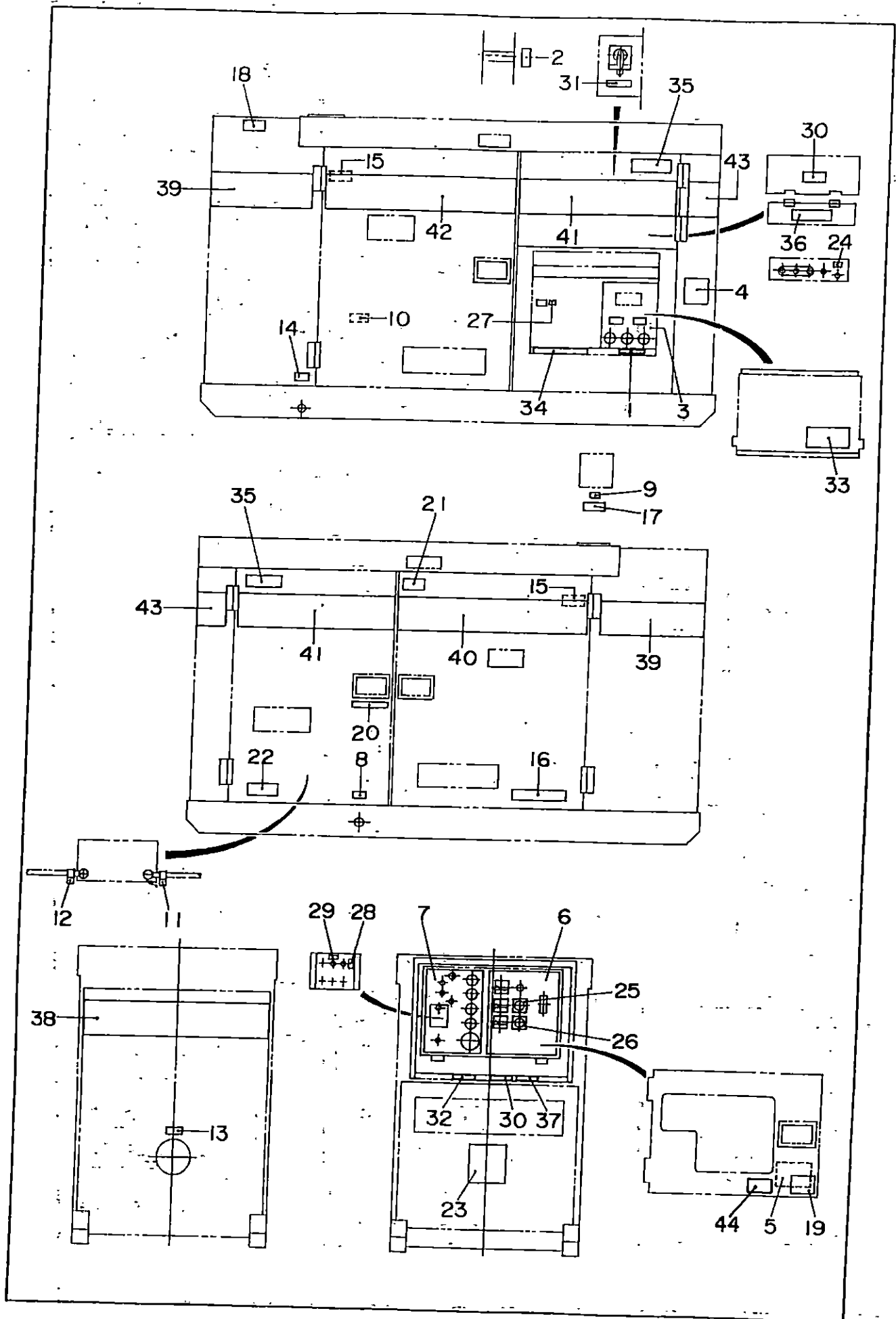
Key No.	Parts No.	Parts Name	Remarks	Q'ty				Symbol	Serial No.
				All	A	B	C		
37	00218 06016	Machine Screw		4					
	00300 06000	Hex. Nut		4					
38	M 91101 00204	Hinge		2					
39	M 91161 00004	Washer		2					
40	00192 08020	Hex. Head Bolt		3					
41	M 93100 00004	Blind Plug		2					
42	M 24630 00602	Roof Panel		1					
	M 24935 05103	Acoustic Sheet		1					
43	M 24232 03104	Over Cover, front frame		1					
44	00192 08020	Hex. Head Bolt		18					
45	M 33106 00004	Cover		1					
46	00192 08020	Hex. Head Bolt		4					
47	M 24532 01902	Splasher Panel		1					
	M 24934 09904	Acoustic Sheet		1					
48	00191 08055	Hex. Head Bolt		4					
	00423 08000	Spring Washer		4					
	00424 08000	Plain Washer		4					
49	00169 08020	Hex. Head Bolt		2					
50	M 24530 03003	Side Door		1					
	M 24934 09404	Acoustic Sheet		1					
51	M 24530 03103	Side Door		1					
	M 24934 09604	Acoustic Sheet		1					
52	M 24530 03903	Side Door		1					

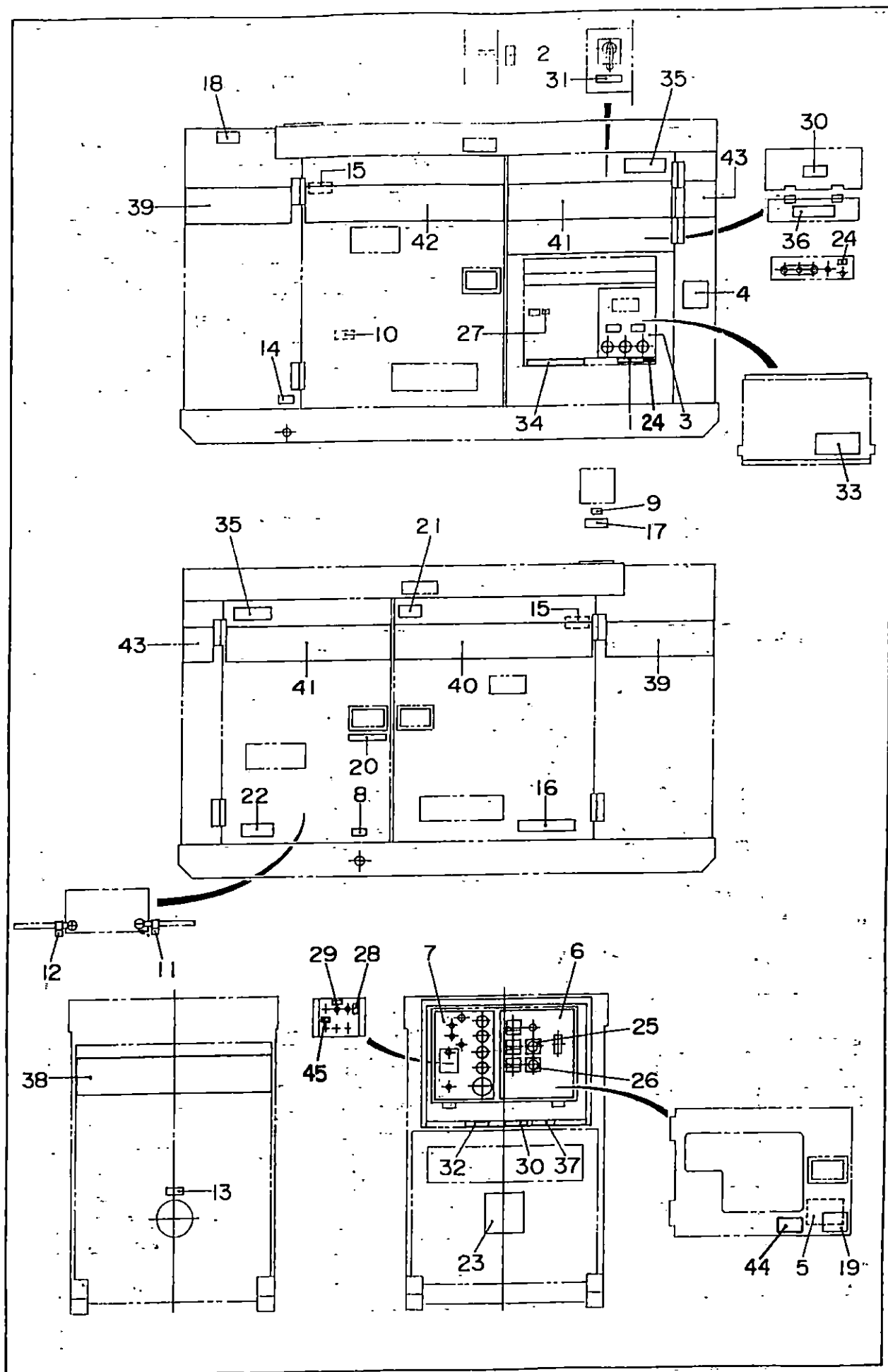
Key No.	Parts No.	Parts Name	Remarks	Q'ty				Symbol	Serial No.
				All	A	B	C		
	M 24934 07804	Acoustic Sheet		1					
53	M 24530 03203	Side Door		1					
	M 24934 09804	Acoustic Sheet		1					
54	M 24533 01704	Duct		1					
	M 24934 11904	Acoustic Sheet		1					
55	M 24533 01604	Duct		1					
	M 24934 12404	Acoustic Sheet		1					
56	M 24533 01804	Duct		1					
	M 24934 13304	Acoustic Sheet		1					
57	M 24533 02004	Duct		1					
	M 24934 12404	Acoustic Sheet		1					
58	M 24533 01904	Duct		1					
	M 24934 13904	Acoustic Sheet		1					
59	02070 06000	Hex. Nut		32					
60	M 91130 00002	Door Handle Ass'y		3					
	C 93125 00004	Seal Rubber		3					
61	00218 06016	Machine Screw		12					
	00300 06000	Hex. Nut		12					
62	M 91101 00204	Hinge		4					
63	M 91101 00304	Hinge		4					
64	M 91161 00004	Washer		8					
65	00192 08020	Hex. Head Bolt		9					
66	06018 50097	Door Stopper		8					

Key No.	Parts No.	Parts Name	Remarks	Q'ty				Symbol	Serial No.
				All	A	B	C		
67	00272 08025	Machine Screw		8					
68	M 24537 00204	Door Bracket		1					
69	M 24537 00304	Door Bracket		2					
70	M 24537 00404	Door Bracket		1					
71	M 24537 00504	Door Bracket		1					
72	00192 06015	Hex. Head Bolt		13					
73	M 93100 00004	Blind Plug		8					
74	06005 00090	Emblem		1					
75	00211 06016	Machine Screw		2					
76	00169 08020	Hex. Head Bolt		1					
	00405 08000	Thoothed Washer		1					
77	06008 00320	Manual Pak		1					
78	00218 06016	Machine Screw		4					



Key No.	Parts No.	Parts Name	Remarks	Q'ty				Symbol	Serial No.
				All	A	B	C		
1	02289 01660	Seal Rubber		3					
2	02289 00915	Seal Rubber		1					
3	02289 00745	Seal Rubber		1					
4	02294 01120	Seal Rubber		3					
5	02294 00375	Seal Rubber		1					
6	02288 00680	Seal Rubber		1					
7	02294 00440	Seal Rubber		1					
8	02289 01060	Seal Rubber		1					
9	02292 00900	Seal Rubber		2					
10	02292 00840	Seal Rubber		1					
11	02288 00770	Seal Rubber		2					
12	02288 00540	Seal Rubber		1					
13	02288 00580	Seal Rubber		1					
14	02281 00550	Seal Rubber		1					
15	02281 00170	Seal Rubber		2					
16	02281 00350	Seal Rubber		1					
17	02281 00360	Seal Rubber		1					
18	02281 00180	Seal Rubber		1					





Key No.	Parts No.	Parts Name	Remarks	Q'ty				Symbol	Serial No.
				All	A	B	C		
1	M 15500 00204	Decal;Note	M1500 0020	1					
2	M 15500 01304	Decal;Lifting Cap	M1500 0130	1					
3	M 15500 02203	Decal;Auxiliary Output	M1500 0220	1					
4	M 25500 00304	Decal;Note	M2500 0030	1					
5	M 25500 02303	Decal;Operating Procedures	M2500 0230	1					
6	M 25500 02403	Decal;Generator Control	M2500 0240	1					
7	M 25500 02503	Decal;Engine Operating	M2500 0250	1					
8	M 95000 00004	Decal;Oil Drain Plug	M9000 0000	1					
9	M 95001 00004	Decal;Water	M9001 0000	1					
10	M 95001 00304	Decal;Inter-Cooler Drain	M9001 0030	1					
11	M 95003 00004	Decal;-	M9003 0000	1					
12	M 95003 00104	Decal;+	M9003 0010	1					
13	M 95005 00004	Decal;Diesel Fuel	M9005 0000	1					
14	M 95005 00104	Decal;Fuel Drain Plug	M9005 0010	1					
15	M 95030 00004	Decal;Warning	M9030 0000	2					
16	M 95030 00103	Decal;Water - Oil Check	M9030 0010	1					
17	M 95031 00004	Decal;Warning	M9031 0000	1					
18	M 95032 00004	Decal;Warning	M9032 0000	1					
19	M 95032 00104	Decal;Danger	M9032 0010	1					
20	M 95100 00104	Decal;Document Box	M9100 0010	1					
21	M 95101 00004	Decal;Caution	M9101 0000	1					
22	M 95101 00403	Decal;Caution	M9101 0040	1					
23	M 95102 00002	Decal;MQ	M9102 0000	1					

Key No.	Parts No.	Parts Name	Remarks	Q'ty				Symbol	Serial No.
				All	A	B	C		
24	M 95200 00004	Decal:Ground	M9200 0000	2					7351606~
25	M 95200 00104	Decal:Ammeter Charge-Over Sw.	M9200 0010	1					
26	M 95200 00204	Decal:Voltmeter Change-Over Sw.	M9200 0020	1					
27	M 95200 00504	Decal:Start Contact	M9200 0050	1					
28	M 95200 00904	Decal:Diagnostic Switch	M9200 0090	1					
29	M 95200 01104	Decal:Diagnostic Button	M9200 0110	1					
30	M 95201 00004	Decal:Warning	M9201 0000	2					
31	M 95201 00204	Decal:Caution	M9201 0020A	1					
32	M 95201 00304	Decal:Safty Instructions	M9201 0030	1					
33	M 95201 00404	Decal:Danger	M9201 0040	1					
34	M 95201 00503	Decal:Warning	M9201 0050	1					
35	M 95201 00603	Decal:Caution	M9201 0060	2					
36	M 95202 00003	Decal:Connection of Output Cable	M9202 0000	1					
37	M 95202 00404	Decal:Over Current Relay	M9202 0040	1					
38	M 25601 00003	Stripe:Whisperwatt		1					
39	M 25601 01204	Stripe:MQ Power		2					
40	M 25601 01703	Stripe		1					
41	M 25601 01603	Stripe		2					
42	M 25601 01503	Stripe		1					
43	M 25601 00304	Stripe:70		2					
44	M 95042 00004	Decal:Warning Start Fires		1					7351331~
45	M 95200 02104	Decal:Fuel Pump Switch		1					7351606~

MANUFACTURED FOR MULTIQIP INC.
by
DENYO MANUFACTURING CORP.



MULTIQIP INC.
Post Office Box 6254 • Carson, Ca. 90749
18910 Wilmington Av. • Carson, Ca. 90746
Phone. (310) 537 3700 • (800) 421 1244
Fax. (310) 632 2656